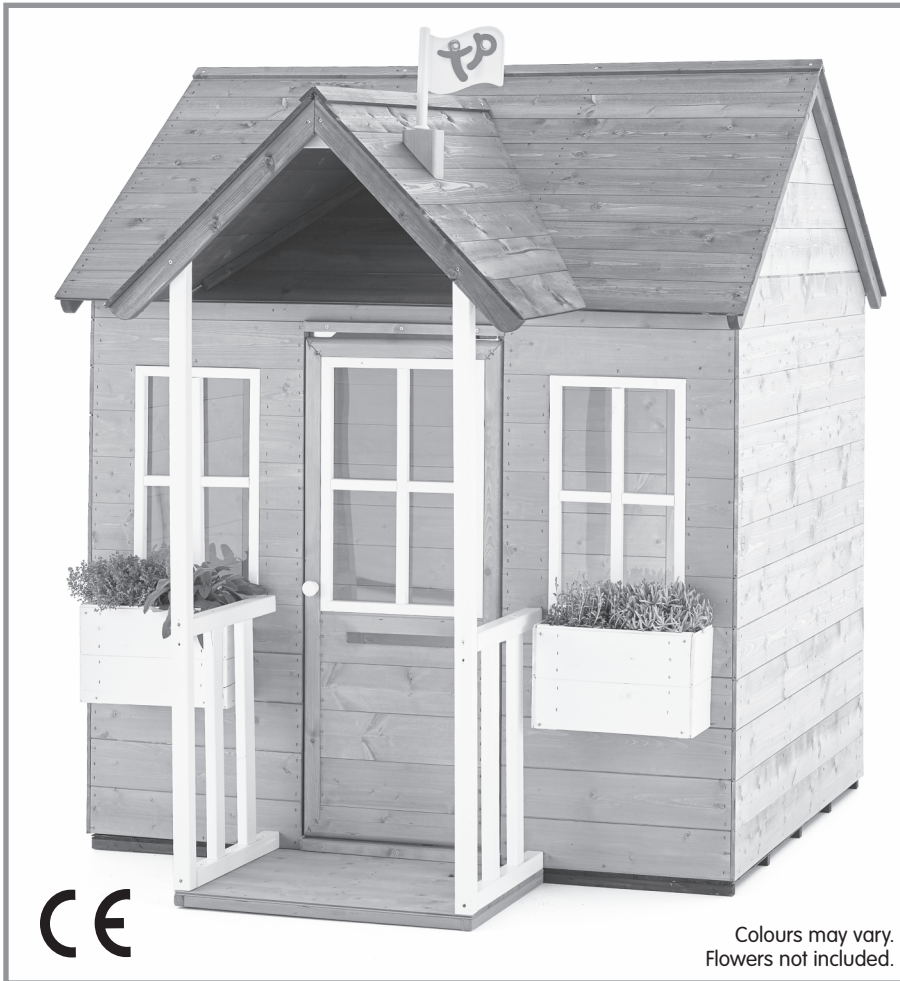


TP363 TP Forest Villa

INSTRUCTIONS FOR ASSEMBLY MAINTENANCE AND USE
PLEASE RETAIN FOR FUTURE REFERENCE.



Colours may vary.
Flowers not included.



IMPORTANT WARNING

This product has been pre-treated so no treatment is required before use outside.
It is necessary to renew the treatment annually to maintain the protective properties.
This product is not waterproof.

Age
18 mths+ - 6 yrs
Single user weight - 30kgs
Maximum combined user weight - 50kgs

IMPORTANT

These instructions must be followed for safe assembly and use.
Please retain for future reference.

WARNING!

TOY MUST BE ASSEMBLED BY AN ADULT BEFORE USE.
CHILDREN MUST NOT USE THE EQUIPMENT UNTIL PROPERLY INSTALLED.
THIS PRODUCT CONTAINS SMALL PARTS AND IS NOT SUITABLE FOR CHILDREN UNDER 36 MONTHS UNTIL FULLY ASSEMBLED.
REMOVE ALL PACKAGING BEFORE GIVING TO YOUR CHILDREN.
ONLY FOR DOMESTIC USE. FOR OUTDOOR USE, ADULT SUPERVISION IS REQUIRED.
THIS PRODUCT IS INTENDED FOR USE BY CHILDREN FROM AGES 18 MONTHS TO 6 YEARS.
MAXIMUM COMBINED USER WEIGHT 50KGS



**Assembly
Build**

GB

INSTRUCTIONS FOR ASSEMBLY, MAINTENANCE AND USE OF TP TOYS

Please read carefully and keep all enclosed information for future reference.

1. ASSEMBLY AND SAFETY INFORMATION

This TP product must be assembled before use by an adult/adults.

This product is made from natural European pinewood that has been pre-treated, so no additional treatment required before use outside. It is necessary to renew the protective treatment annually.

Wood is a natural product so it will have knots, splits and imperfections. This is to be anticipated and does not indicate the product is faulty. Wood will also change over time with changes in the weather and atmospheric conditions. Splits will open up and close again. It may warp and twist slightly. Again this is to be expected and does not affect the performance of the product.

The TP product must be erected exactly in accordance with the assembly instructions. Enlisting the aid of a helper will make assembly easier. In order to ensure the correct tensions and to ease assembly, it is important to assemble the product hand tight to begin with. Only when complete, should the fastenings be fully tightened and checked. This pack may contain small parts and is not suitable for children under 36 months until fully assembled. We recommend that you place small parts on a tray, or something similar, to prevent the frustration and disappointment of mislaying them. Please take care during assembly as the manufacturing process can sometimes result in the occasional sharp edge and small pieces of waste metalwork. Should there be any missing parts, the toy must not be used until replacement parts have been fitted - contact the TP Customer Services: Email: directsales@tp toys.com

2. SITING

Under no circumstances should this TP product be positioned on hard surface such as concrete or asphalt, unless the ground under the toy plus the recommended freespace area is covered with a safety surface (please refer to diagram on page 5). Examples of suitable surfaces are grass, sand or a play surface intended for this use. TP toys should be sited on level ground.

3. USAGE

The toy is designed and made for family outdoor domestic use only. Misuse can result in injury to the child or damage to the product.

4. SUPERVISION

Children should always be supervised while they are playing on TP toys and should be instructed not to use the toy in an inappropriate or hazardous manner. We recommend that they do not wear loose-fitting clothing or jewellery that may catch or snag during play. Children should not wear cycle helmets while playing on TP toys.

5. WEATHER CONDITIONS

Special care should be taken as weather conditions change. In particular, outdoor toys can become slippery in wet weather and tongues and lips can stick to metalwork at subzero temperatures. In warmer and sunnier weather, parts can become hot, and the temperature should be regularly checked during play, especially metal parts and slides. If there is any doubt over safety then the toys should not be used. We recommend that you check the product in relationship to the orientation of the activity toy (e.g. swings) in relation to its exposure to the sun. Product may become hot!

6. MAINTENANCE

With all toys it is vital that the equipment is checked regularly and often by an adult. The complete toy should be checked at least once a month, and particular attention should be paid to connections and fastenings. If any parts exhibit signs of wear and tear, they may need to be replaced. Check all nuts and bolts and screws for tightness and tighten when required. Failure to do this may result in the product malfunctioning and causing injury. Children must not be allowed to use the toy until properly installed and checked.

Please protect your product with a annual application of environmentally friendly/child friendly treatment or as recommended in the manufacturer's instructions.

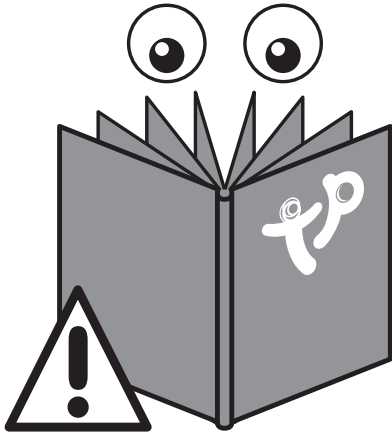
7. FIRE RISKS AND DISPOSAL

Do not place this product near a fire. When it becomes necessary to dispose of your equipment, remove all bolts/screws and disassemble. Store out of the reach of children until it can be properly disposed of.

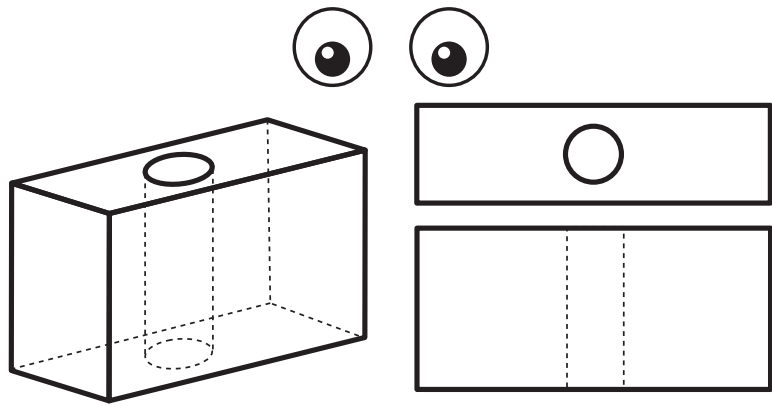
These instructions are issued in the interest of child safety, and we do ask you to follow our advice.

Instruction Guide

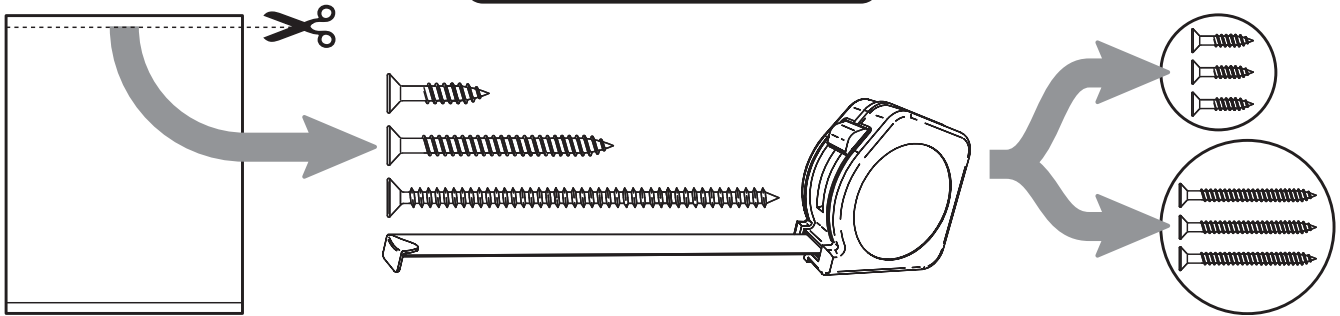
Read Instructions Before Starting



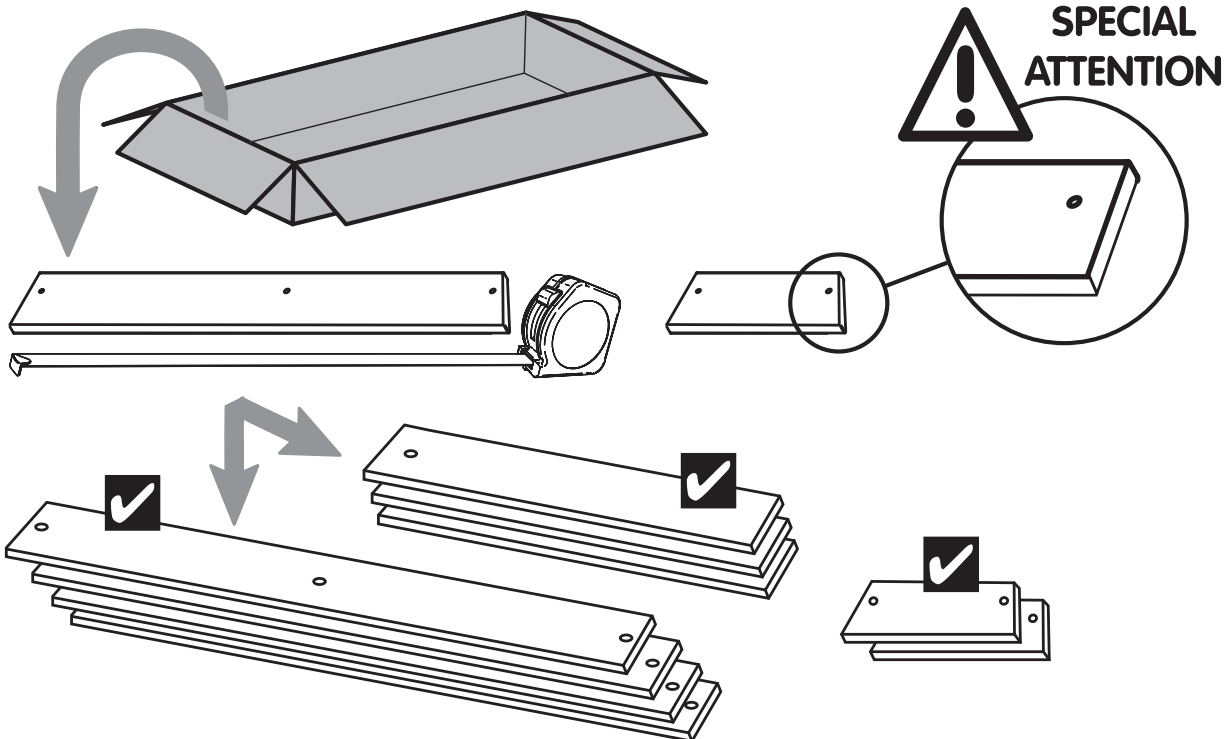
Hidden Lines



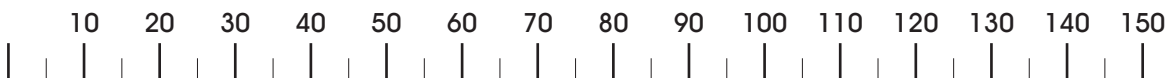
Sort Fixings



Sort Parts

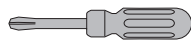


For assembly advice, email directsales@tptoys.com or call 01525 722769 (office hours).



Contents - Please check

Tools - You will need:



Screwdriver



Paint Brush



Scissors



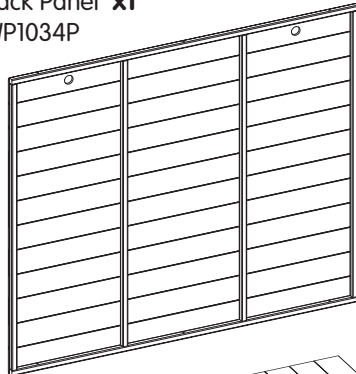
Power Screwdriver



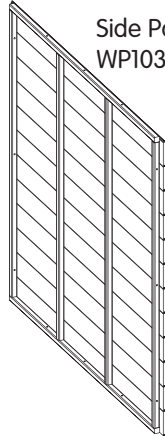
2mm Drill Bit

Pack 1

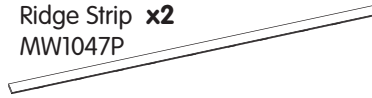
Back Panel **x1**
WP1034P



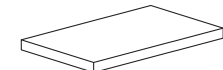
Side Panel **x2**
WP1039P



Ridge Strip **x2**
MW1047P

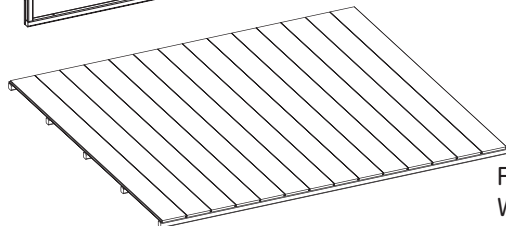


Planter Side **x4**
MW1044P



Planter Floor **x2**
MW1045P

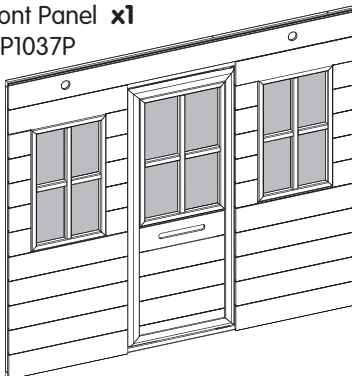
Balcony Support
Upright **x2**
MW1046P



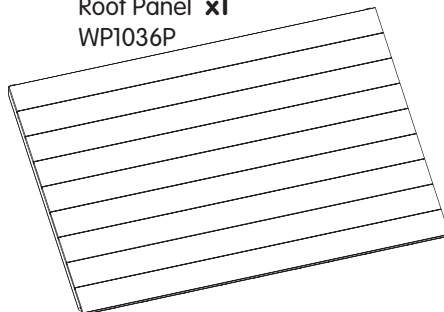
Floor Panel **x1**
WP1033P

Pack 2

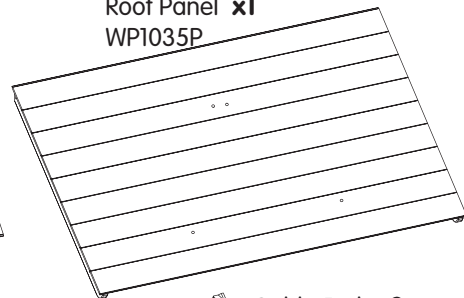
Front Panel **x1**
WP1037P



Roof Panel **x1**
WP1036P



Roof Panel **x1**
WP1035P



Ridge Strip RH **x1**
MW1048P



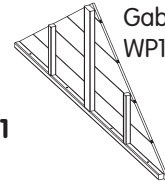
Ridge Strip LH **x1**
MW1049P



Ridge Support **x1**
MW1051P



Gable End **x2**
WP1002P



Door Knob **x1**
DK2117P



Subpack - SP0444

3.5mm x 30mm Woodscrew **x22**
FA4526



3.5mm x 40mm Woodscrew **x63**
FA4522



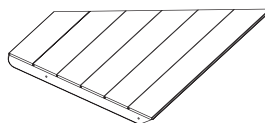
3.5mm x 50mm Woodscrew **x15**
FA4534



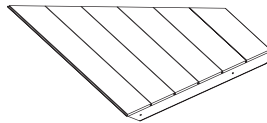
Plastic Ridge Strip **x2**



Roof Panel - Porch **x1**
WP1040P



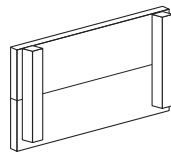
Roof Panel - Porch **x1**
WP1041P



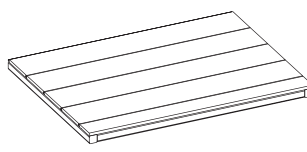
Flag **x1**
PM1007



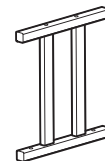
Planter Front **x2**
WP1043P



Porch Floor **x1**
WP1042P



Balcony Panel **x2**
WP1006P



Chimney Block **x1**
MW1050P



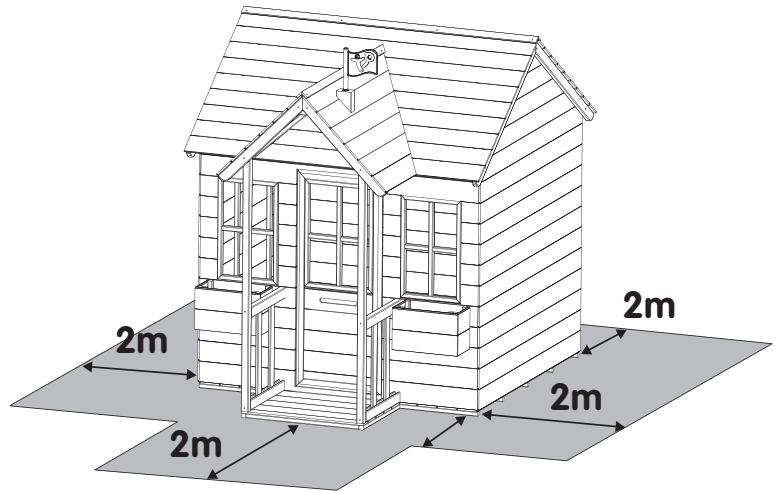
Door Batton **x2**
MW2116



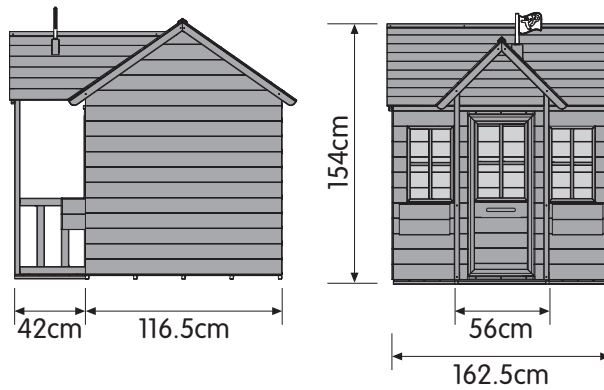
Freespace/Safe Play Diagram

Recommended Free Space:

The Safe Play Area refers to the zone extending 200cm (2 metres) beyond the toy on all sides and 250cm (2.5 metres) above the toy. The Safe Play Area must be free from all structures, landscaping, trees and branches, rocks, wires, sprinkler heads and other similar obstacles to safe play. Children can be seriously injured running or colliding into such obstacles.



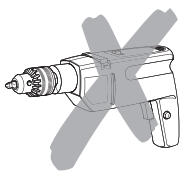
Dimensions



IMPORTANT - Assembly Tip



WARNING - All fixings



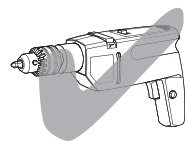
Do not use Power tools with any screws

Excessive force can crack/split this product.

Hand tighten only



WARNING - Pilot Holes



Power tools can be used when drilling Pilot holes only

Excessive force can crack/split this product.

Stage

1



IMPORTANT WARNING


This product has been pre-treated so no treatment is required before use outside.

It is necessary to renew the treatment annually to maintain the protective properties.

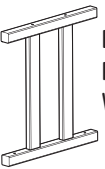
This product is not waterproof.

Stage 2


3.5 x 50mm Woodscrew **x4**
FA4534




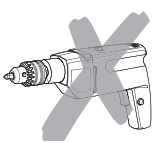
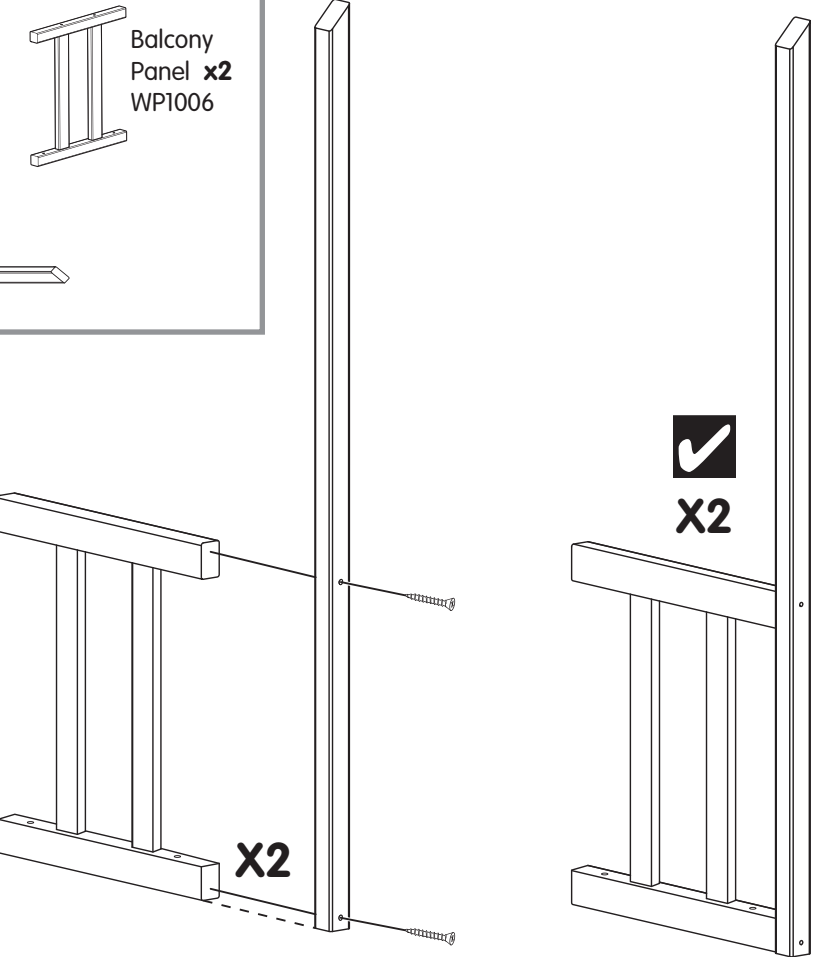
Balcony Panel **x2**
WP1006



Balcony Support Upright **x2**
MW1046P

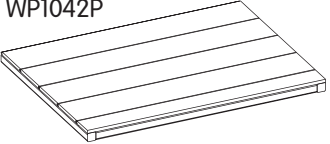


WARNING - All fixings
Do not use Power tools
Excessive force can crack/split this product.
Hand tighten only

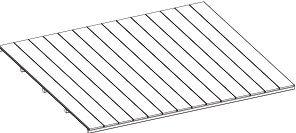




Stage 3


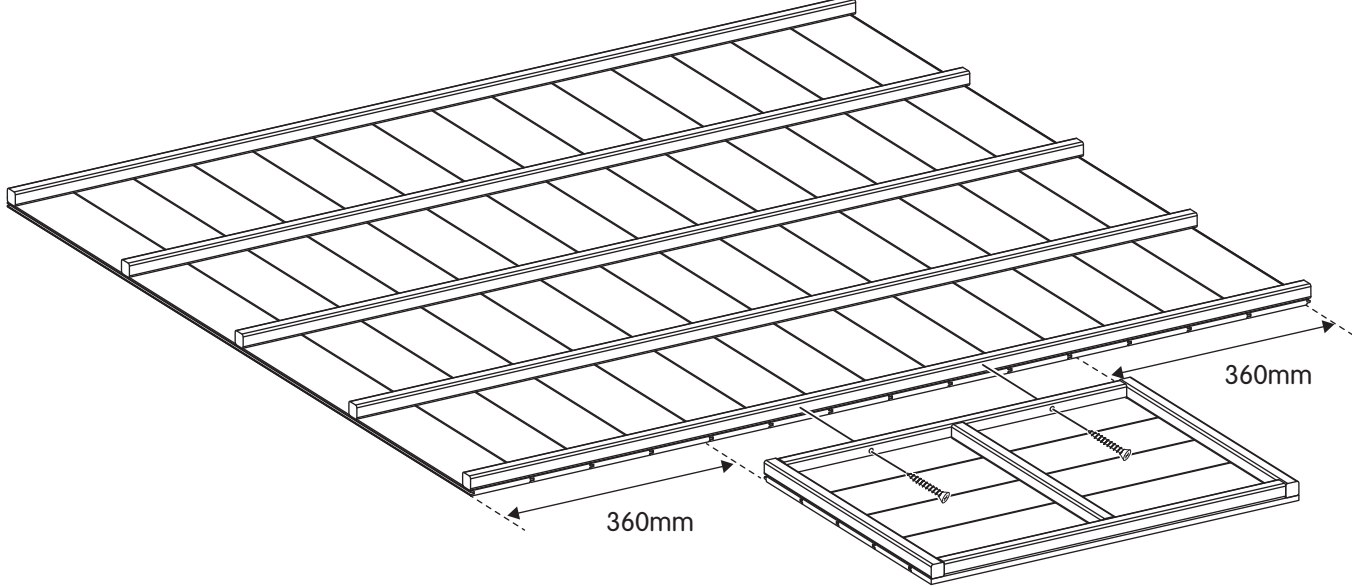
Porch Floor **x1**
WP1042P



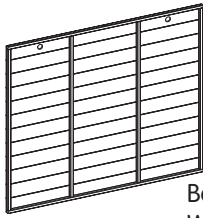
Floor Panel **x1**
WP1033P



3.5 x 40mm Woodscrew **x2**
FA4522

Stage
4

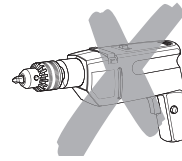


Back Panel **x1**
WP1034P

3.5 x 40mm Woodscrew **x3**
FA4522



WARNING - All fixings



Do not use
Power tools

Excessive force can
crack/split
this product.

Hand tighten only

WP1034P

WP1033P

WP1034P

90°

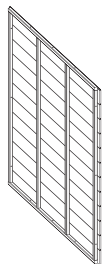


WP1033P

3.5 x 40mm



Stage
5

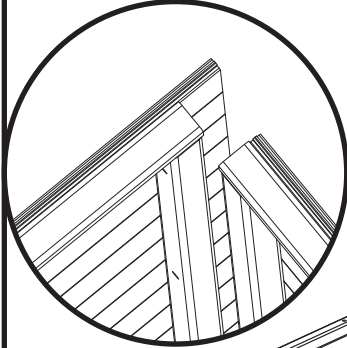
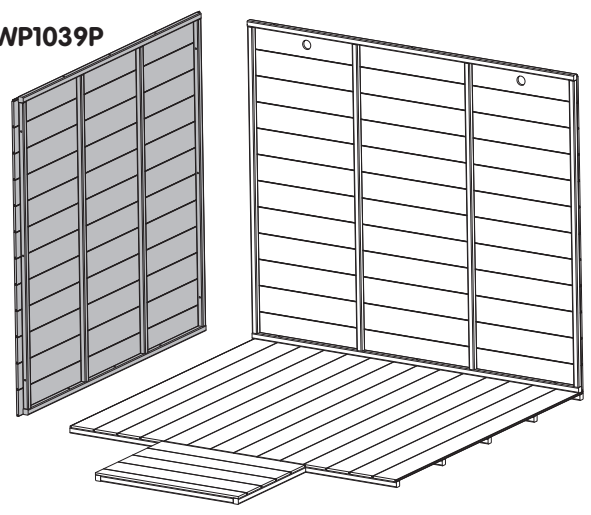


3.5 x 40mm Woodscrew x6
FA4522

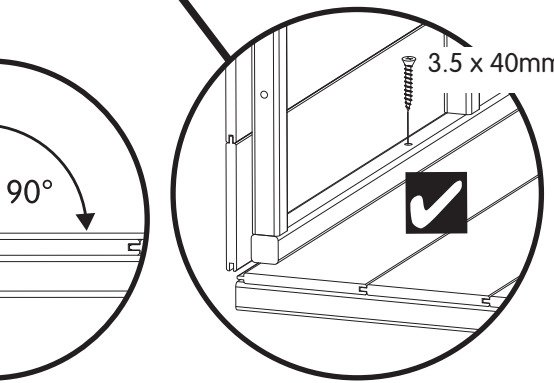
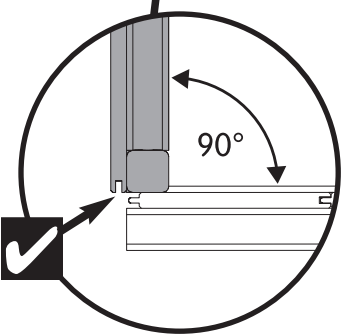
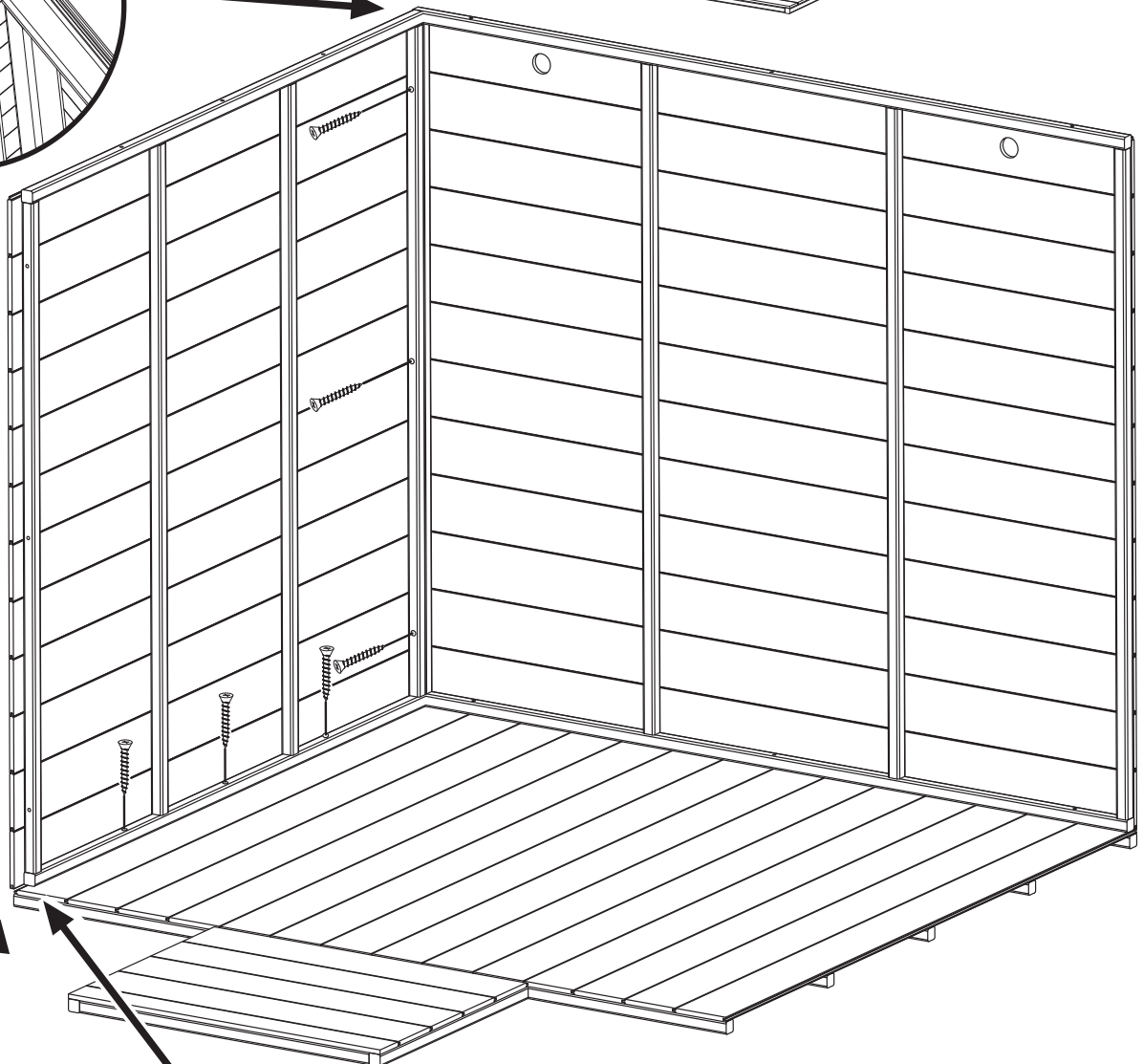


Side Panel x1
WP1039P

WP1039P



WP1039P



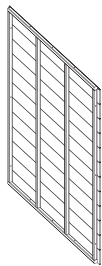
WARNING - All fixings

Do not use Power tools

Excessive force can crack/split this product.

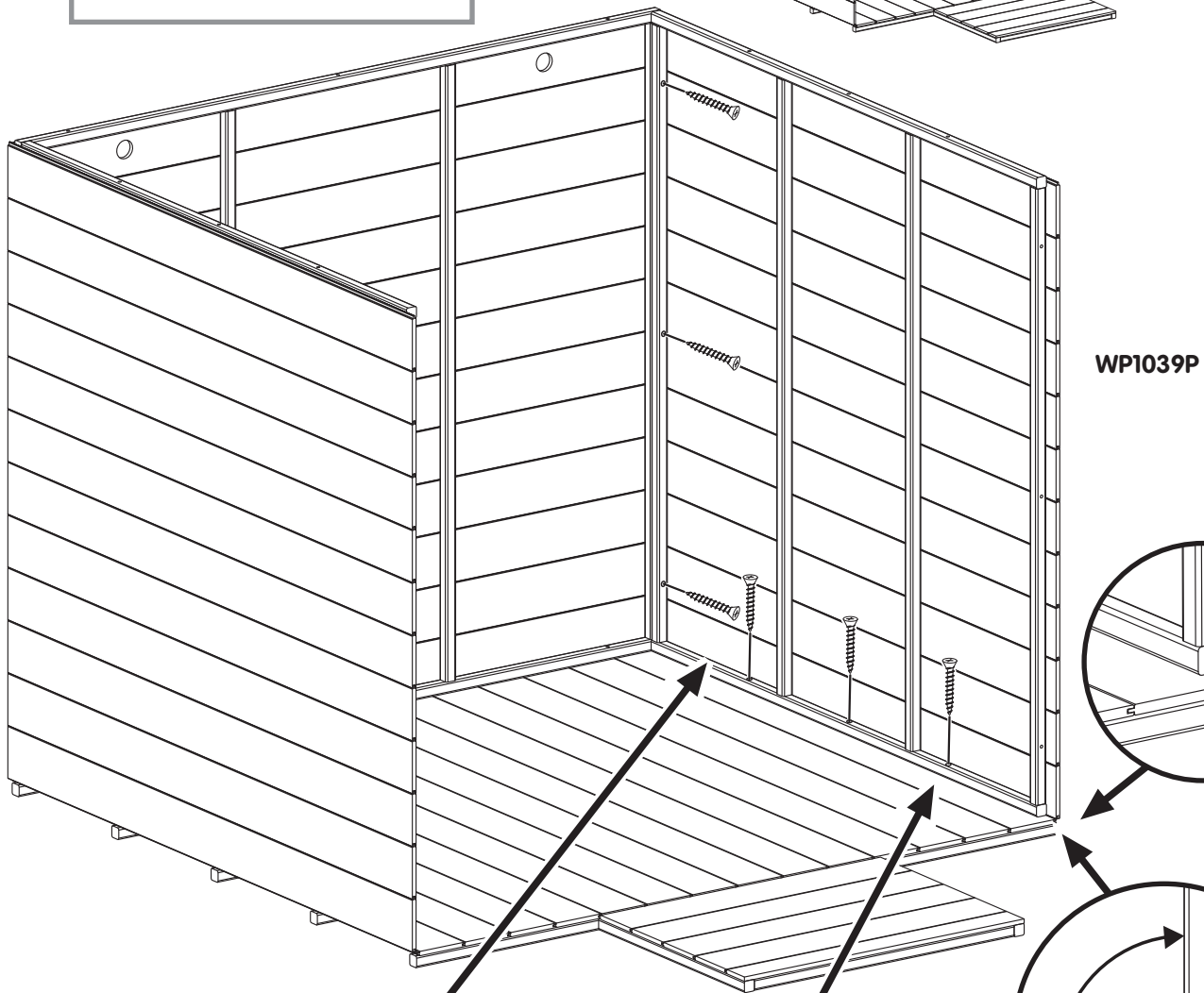
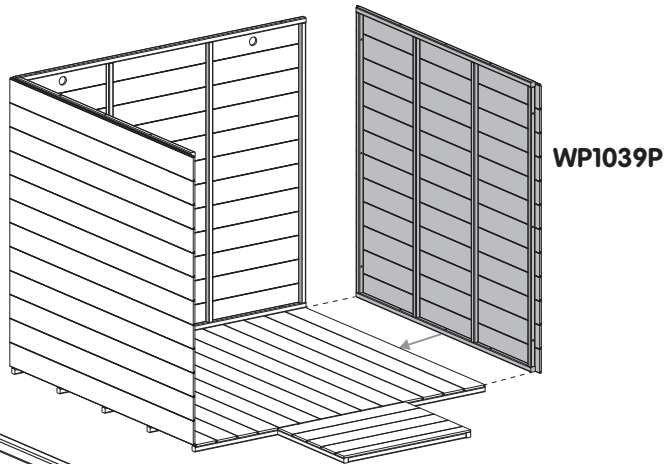
Hand tighten only

Stage
6

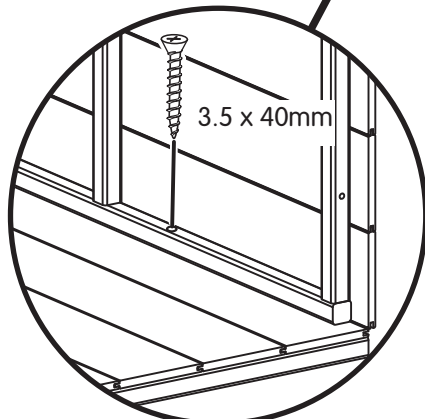
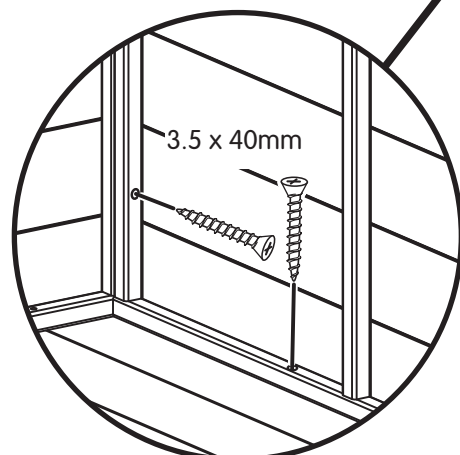
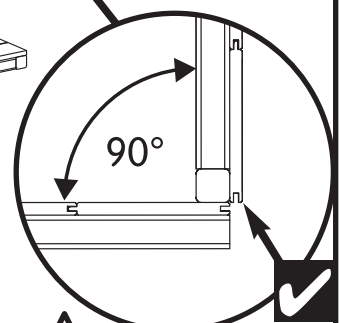
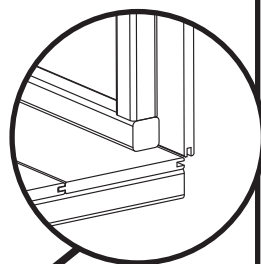


Side Panel **x1**
WP1039P

3.5 x 40mm Woodscrew **x6**
FA4522



WP1039P

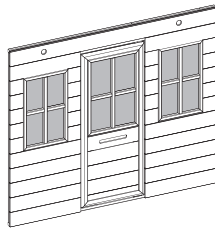


WARNING - All fixings



Do not use
Power tools
Excessive force
can crack/split
this product

Stage
7

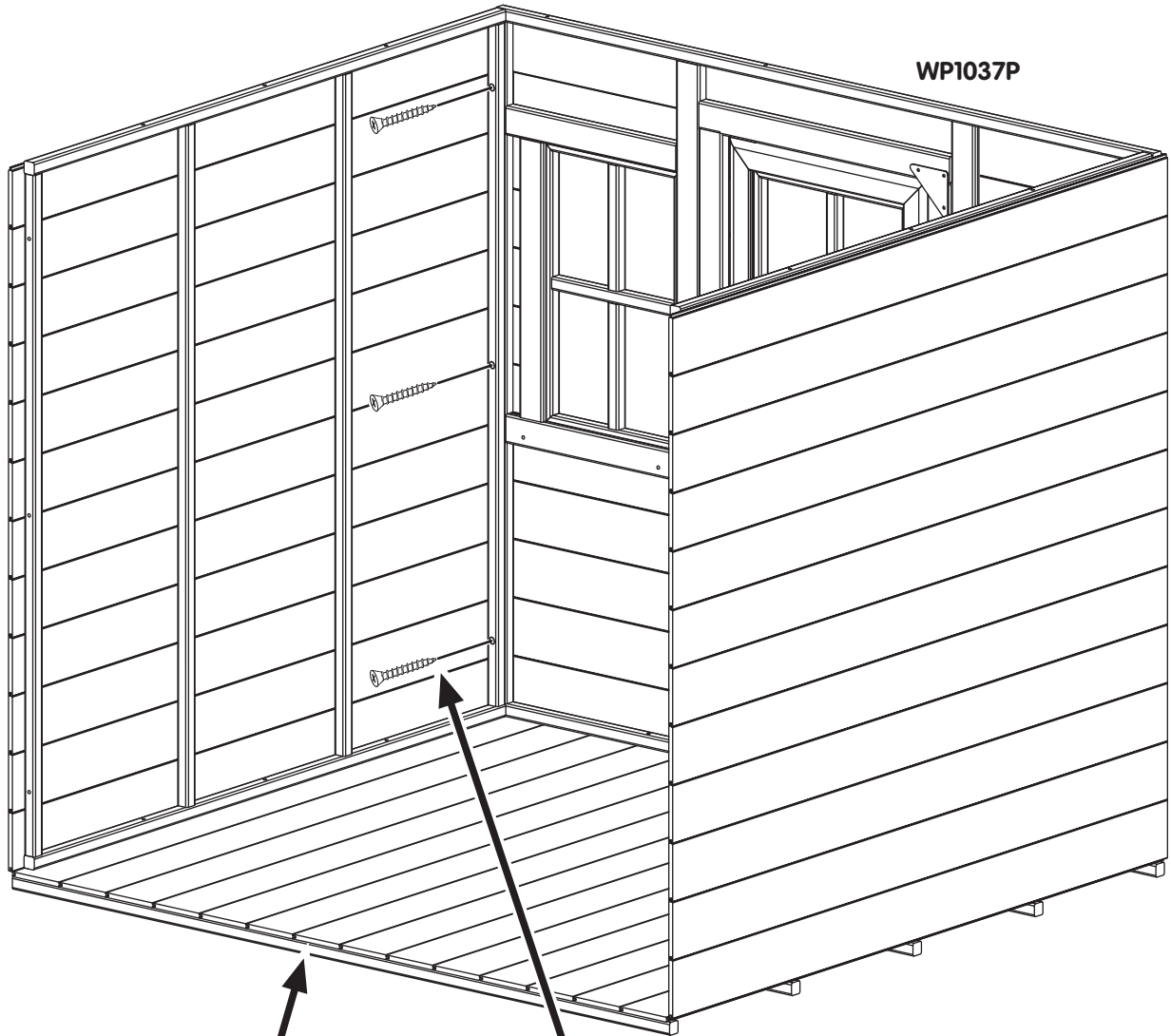
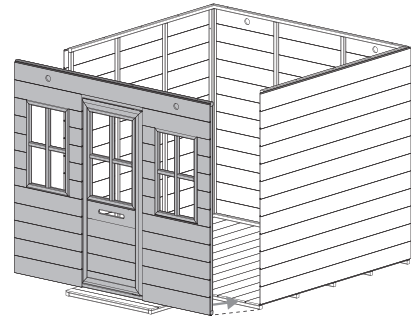


Front Panel **x1**
WP1037P

3.5 x 40mm Woodscrew **x3**
FA4522




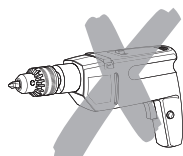
WP1037P

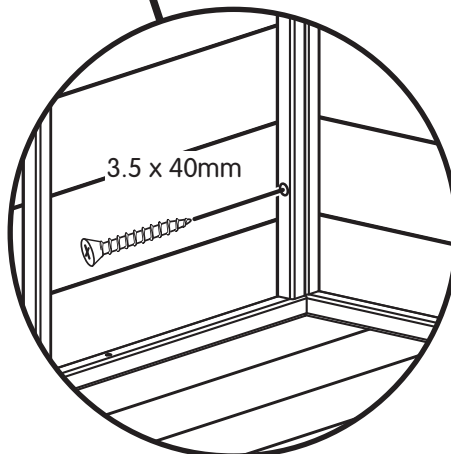


ASSEMBLY TIP

Do not remove
Back panel


WARNING - All fixings


Do not use
Power tools
Excessive force
can crack/split
this product




Stage
8

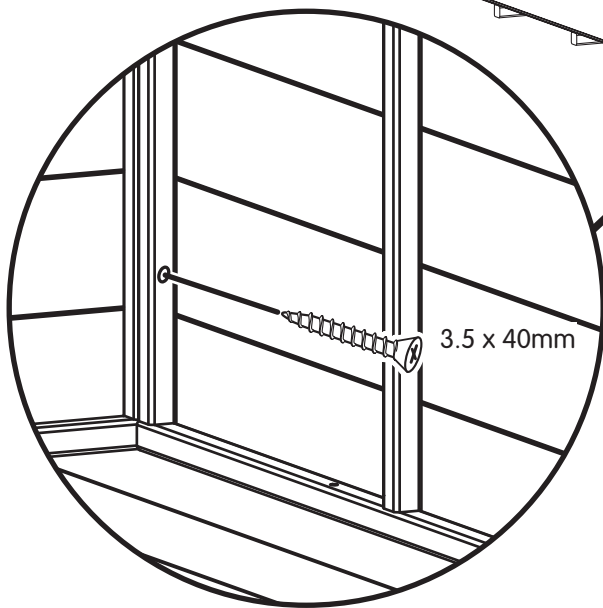
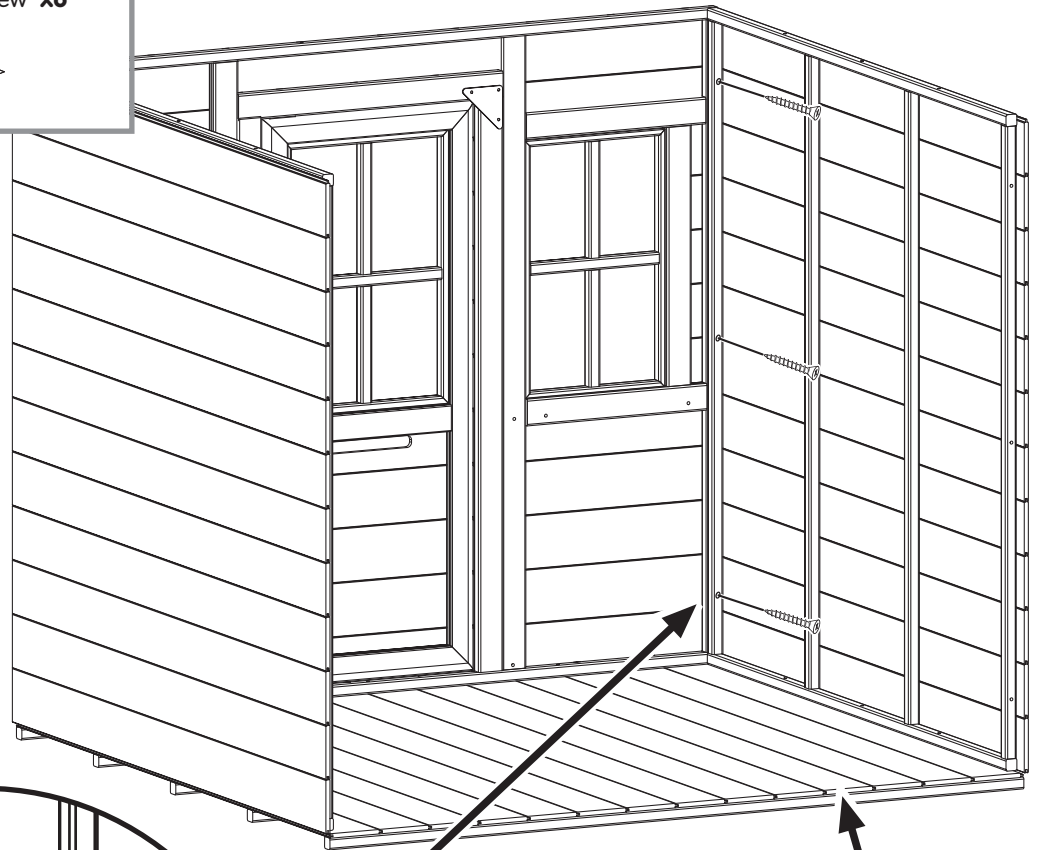
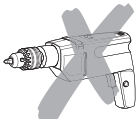
3.5 x 40mm Woodscrew **x6**
FA4522



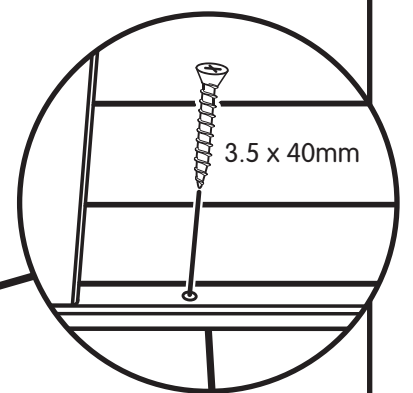
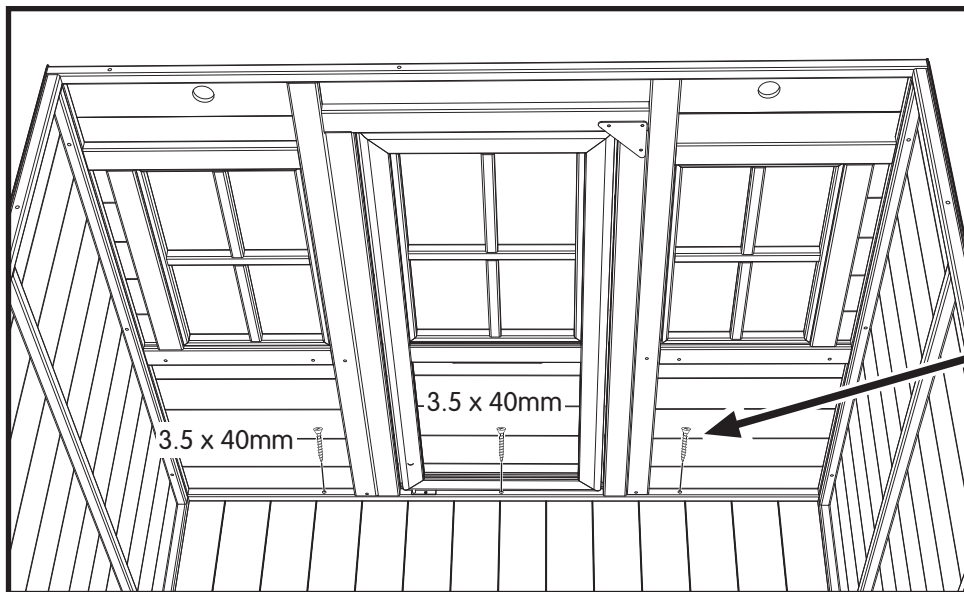
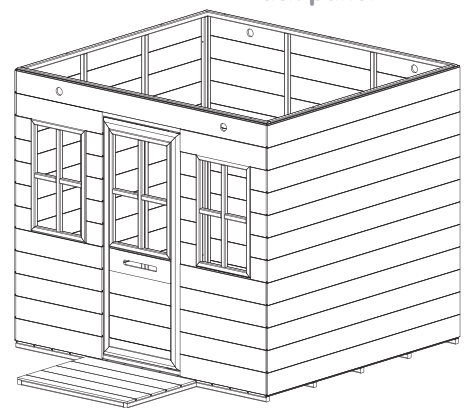
WARNING - All fixings



Do not use Power tools
Excessive force can crack/split this product

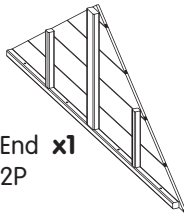


ASSEMBLY TIP
Do not remove Back panel



Stage
9

Gable End **x1**
WP1002P



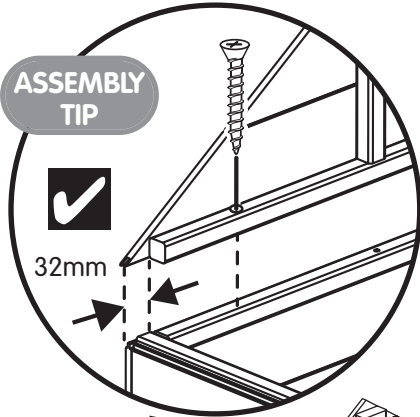
3.5 x 40mm Woodscrew **x4**
FA4522



ASSEMBLY TIP



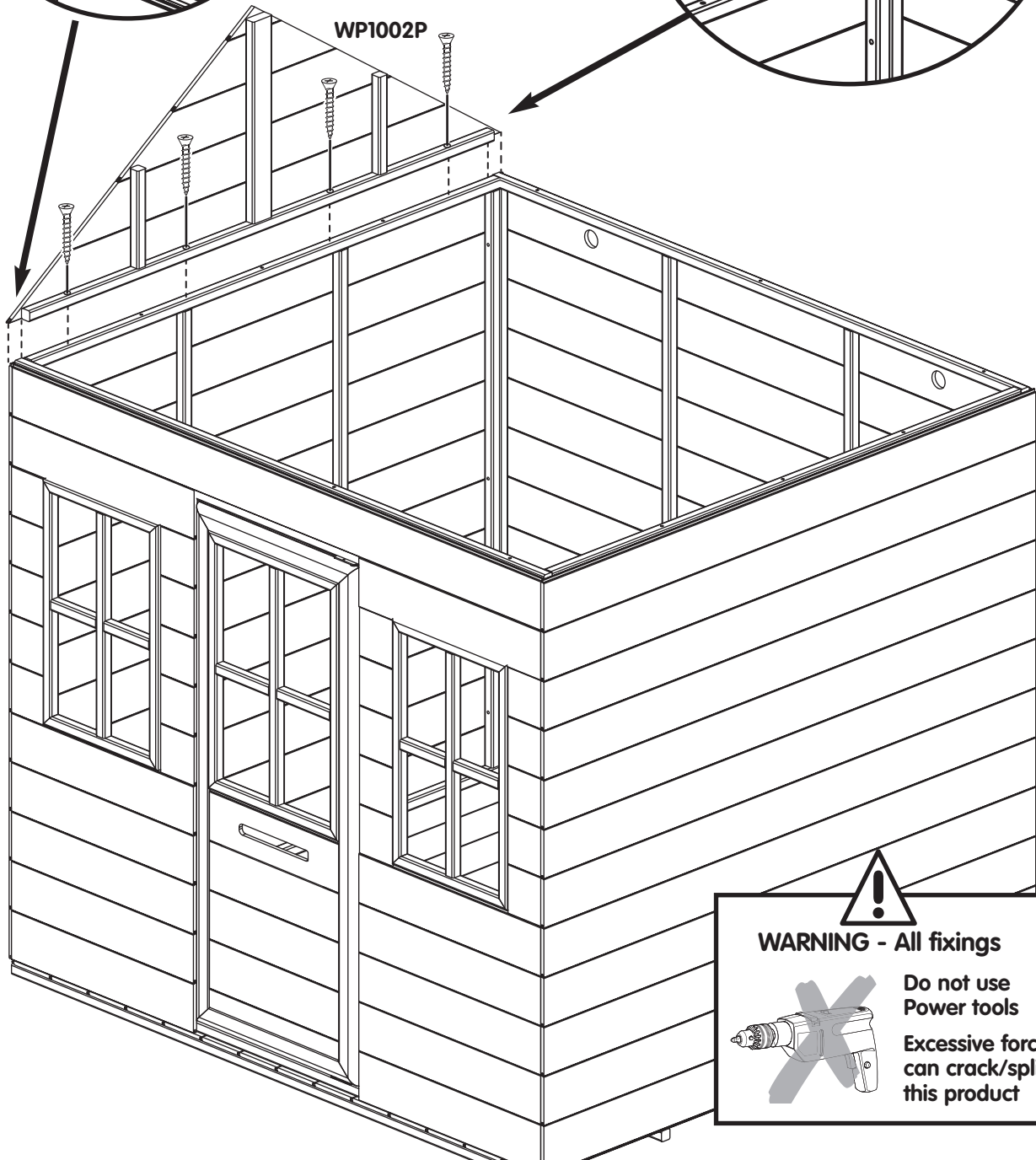
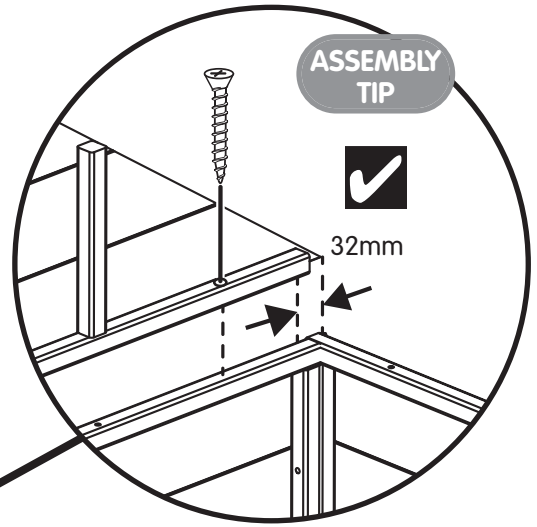
32mm



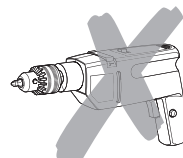
ASSEMBLY TIP



32mm



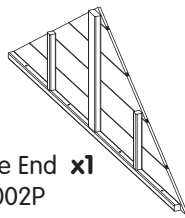
WARNING - All fixings



Do not use
Power tools

Excessive force
can crack/split
this product

Stage
10



3.5 x 40mm Woodscrew x4
FA4522

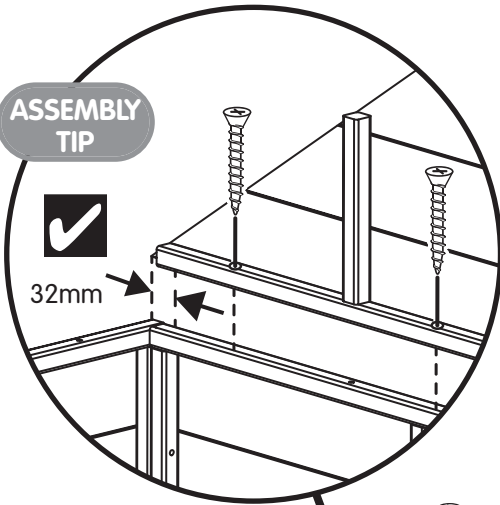


Gable End x1
WP1002P

ASSEMBLY TIP



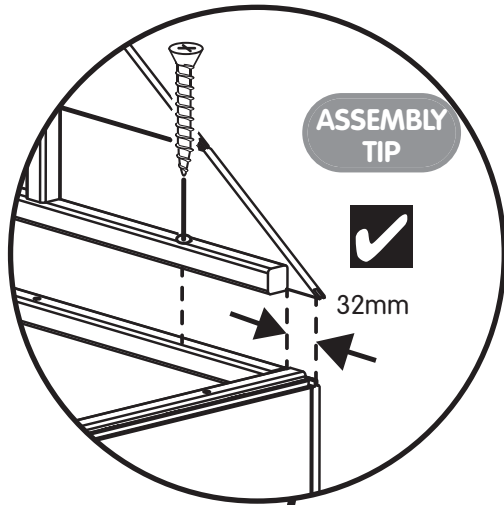
32mm



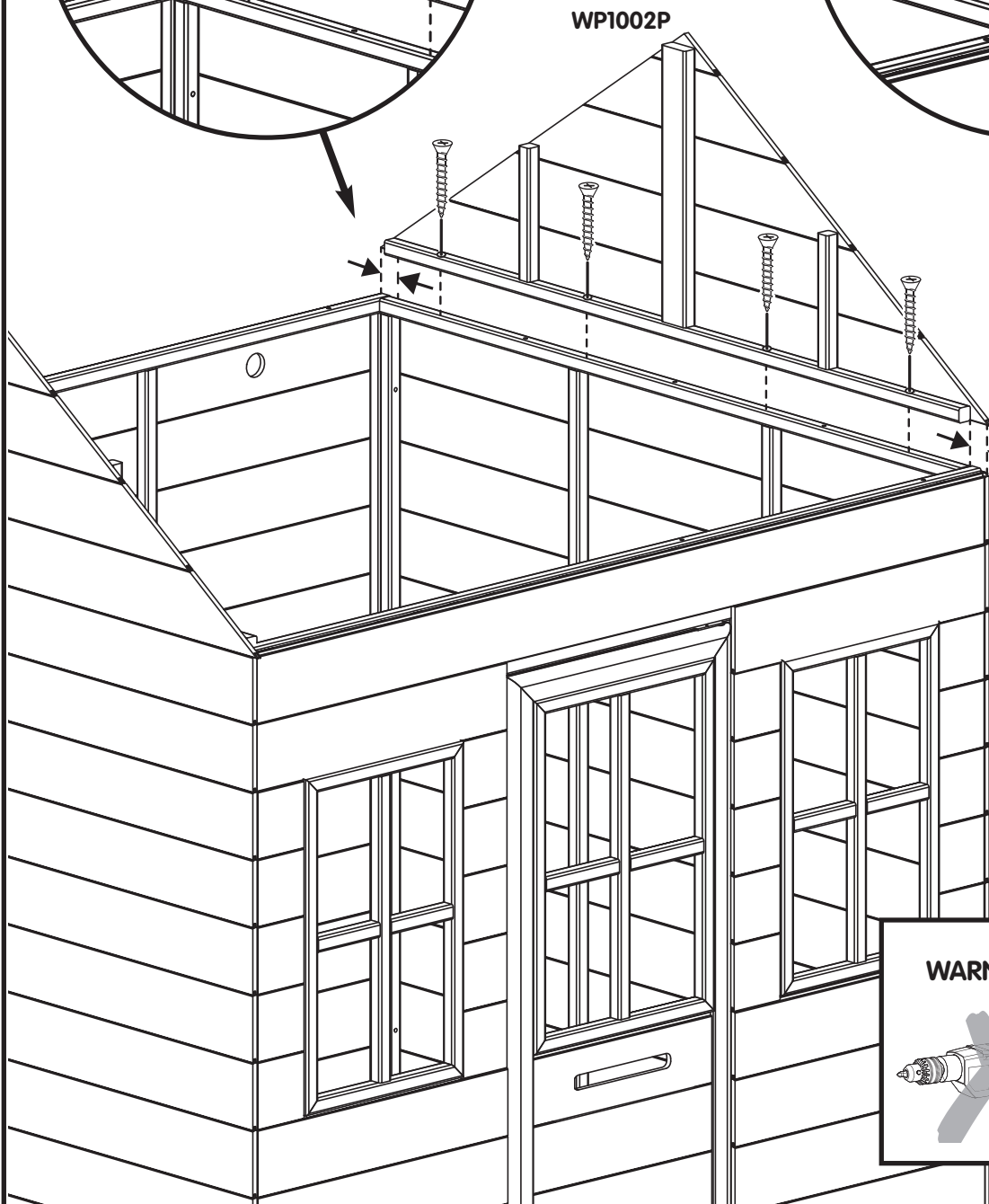
ASSEMBLY TIP



32mm



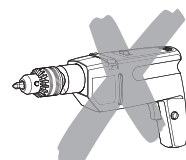
WP1002P



WARNING - All fixings

Do not use
Power tools

Excessive force
can crack/split
this product

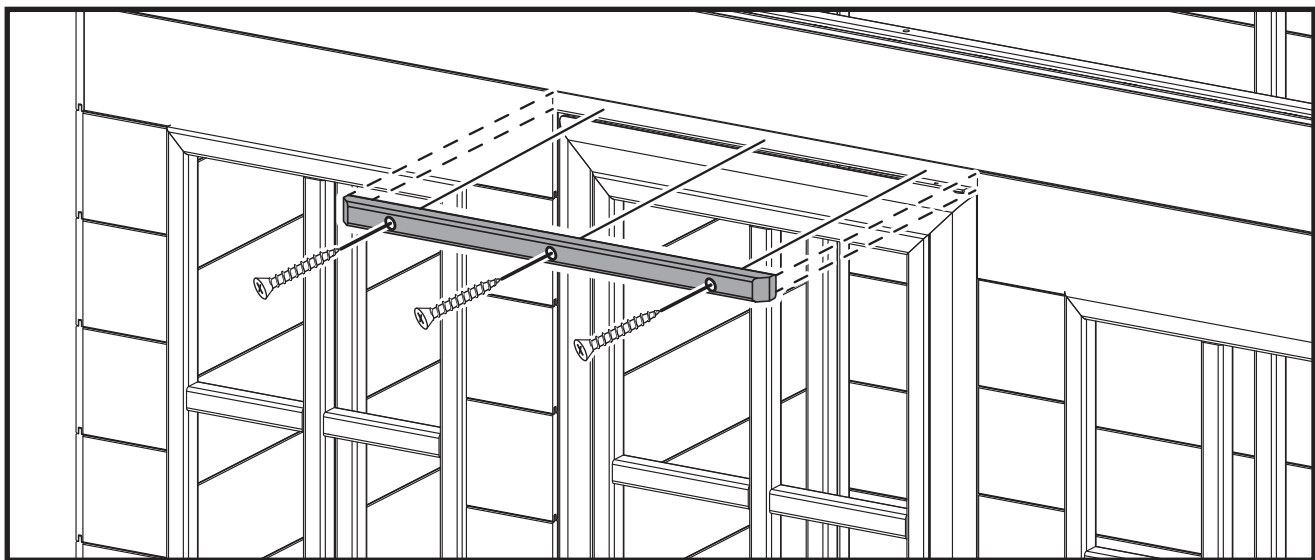
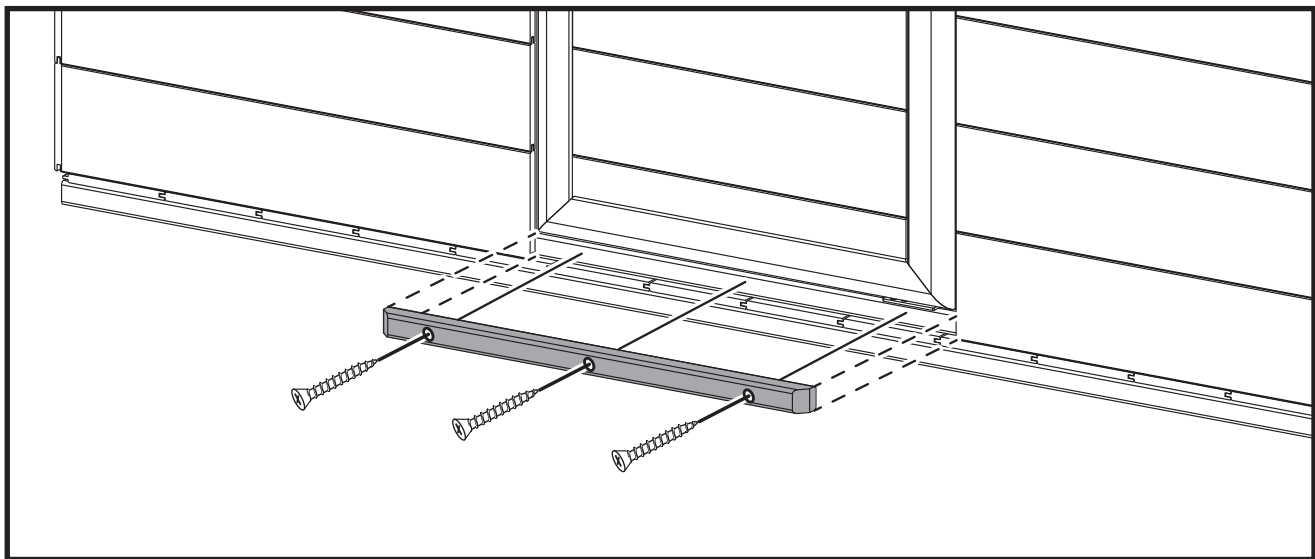
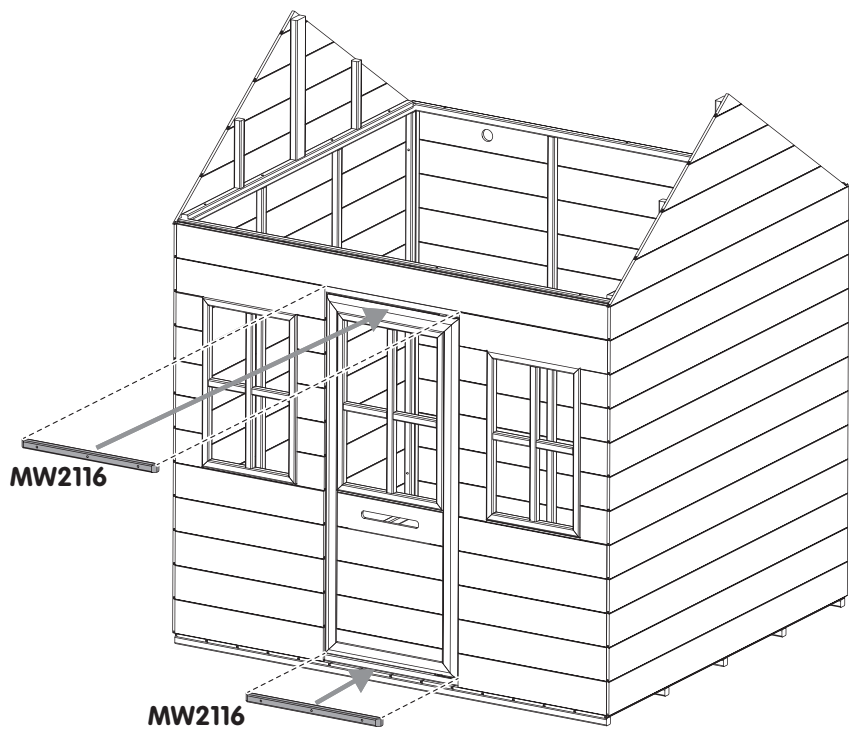


Stage
11



Door Batton **x2**
MW2116

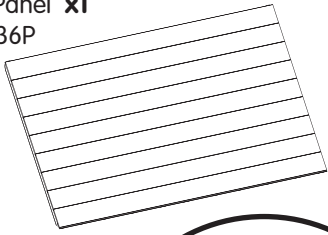
3.5 x 30mm Woodscrew **x6**
FA4526



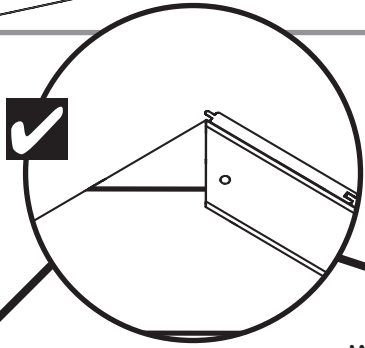
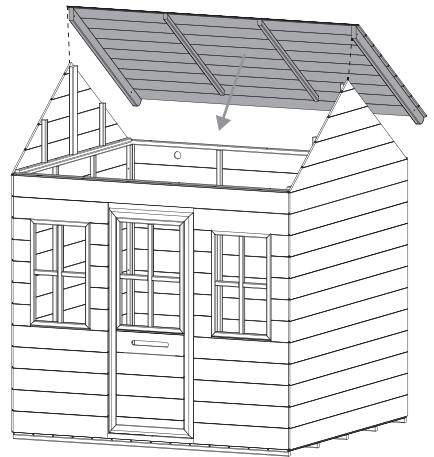
Stage
12

Roof Panel **x1**
WP1036P

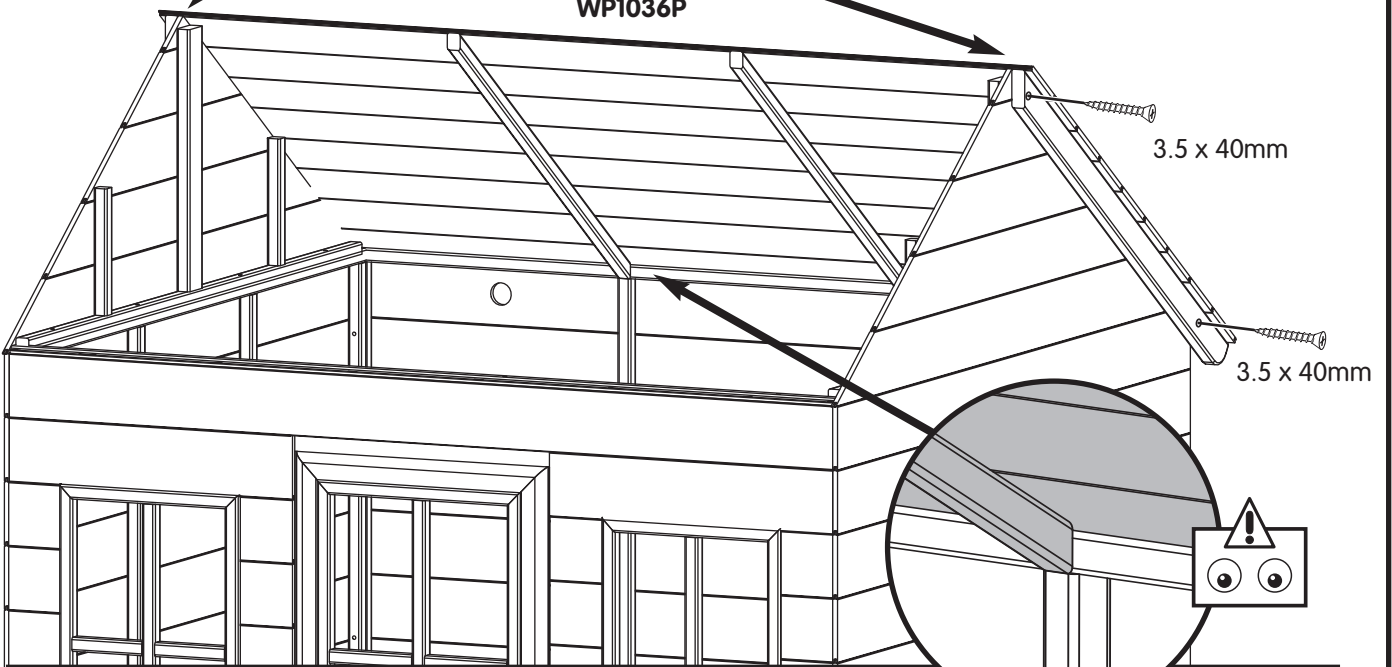
3.5 x 40mm Woodscrew **x4**
FA4522



WP1036

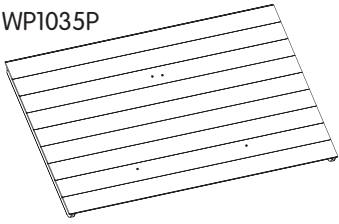


WP1036P



Stage
13

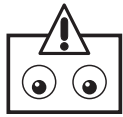
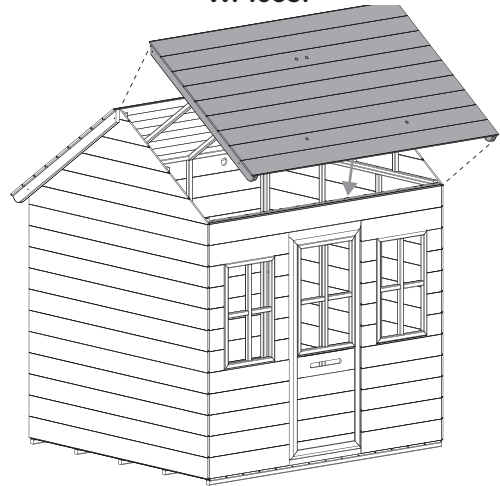
Roof Panel **x1**
WP1035P



3.5 x 40mm Woodscrew **x4**
FA4522

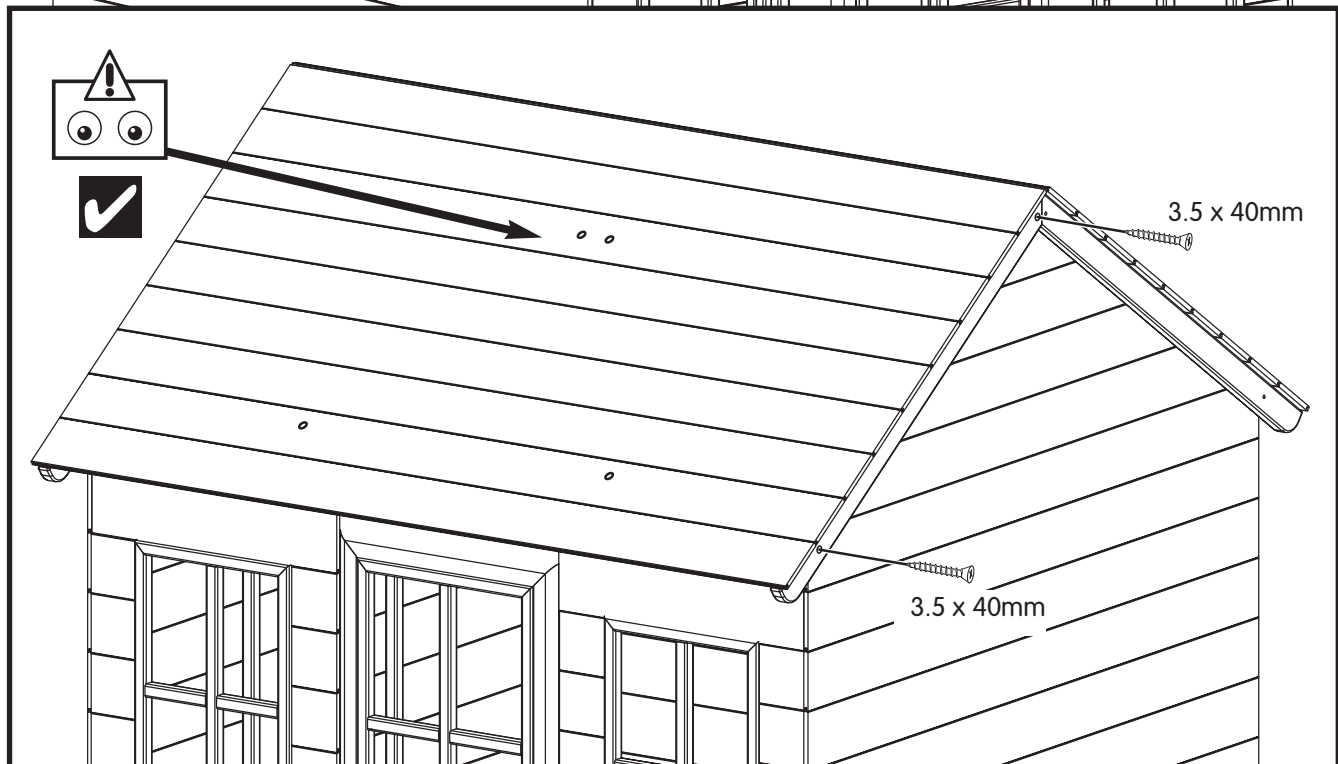
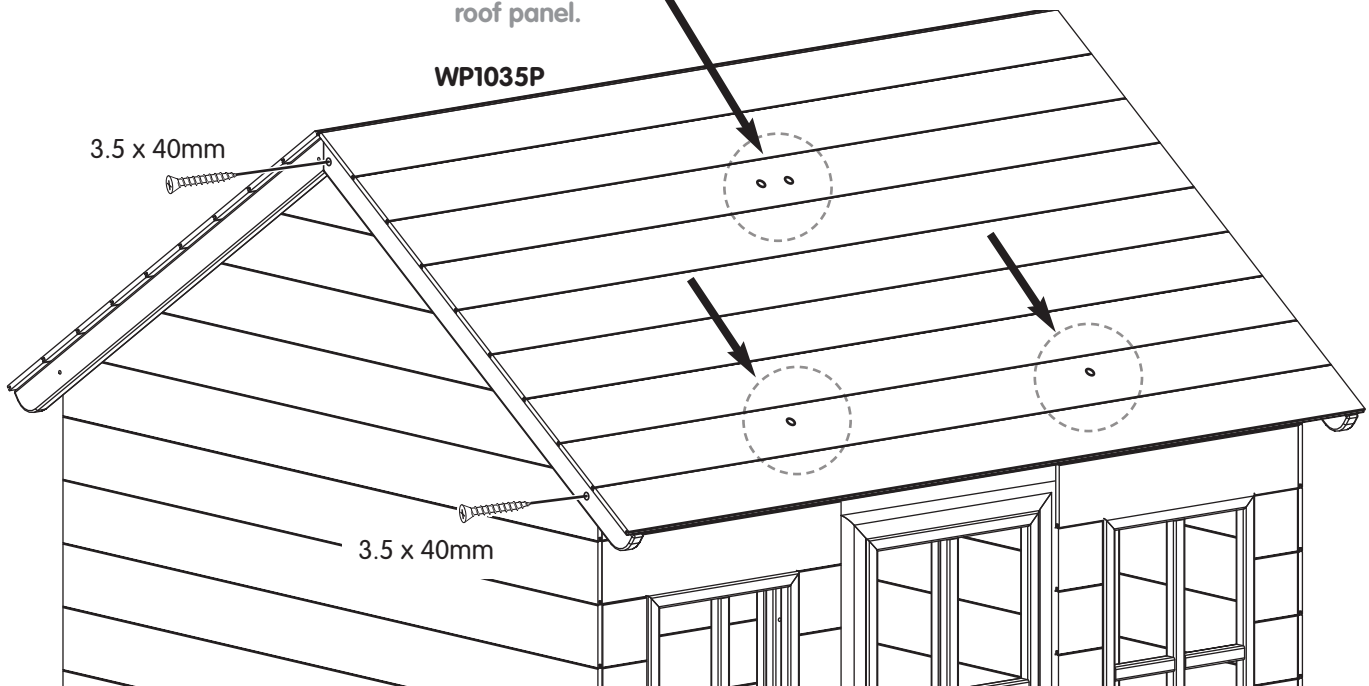


WP1035P



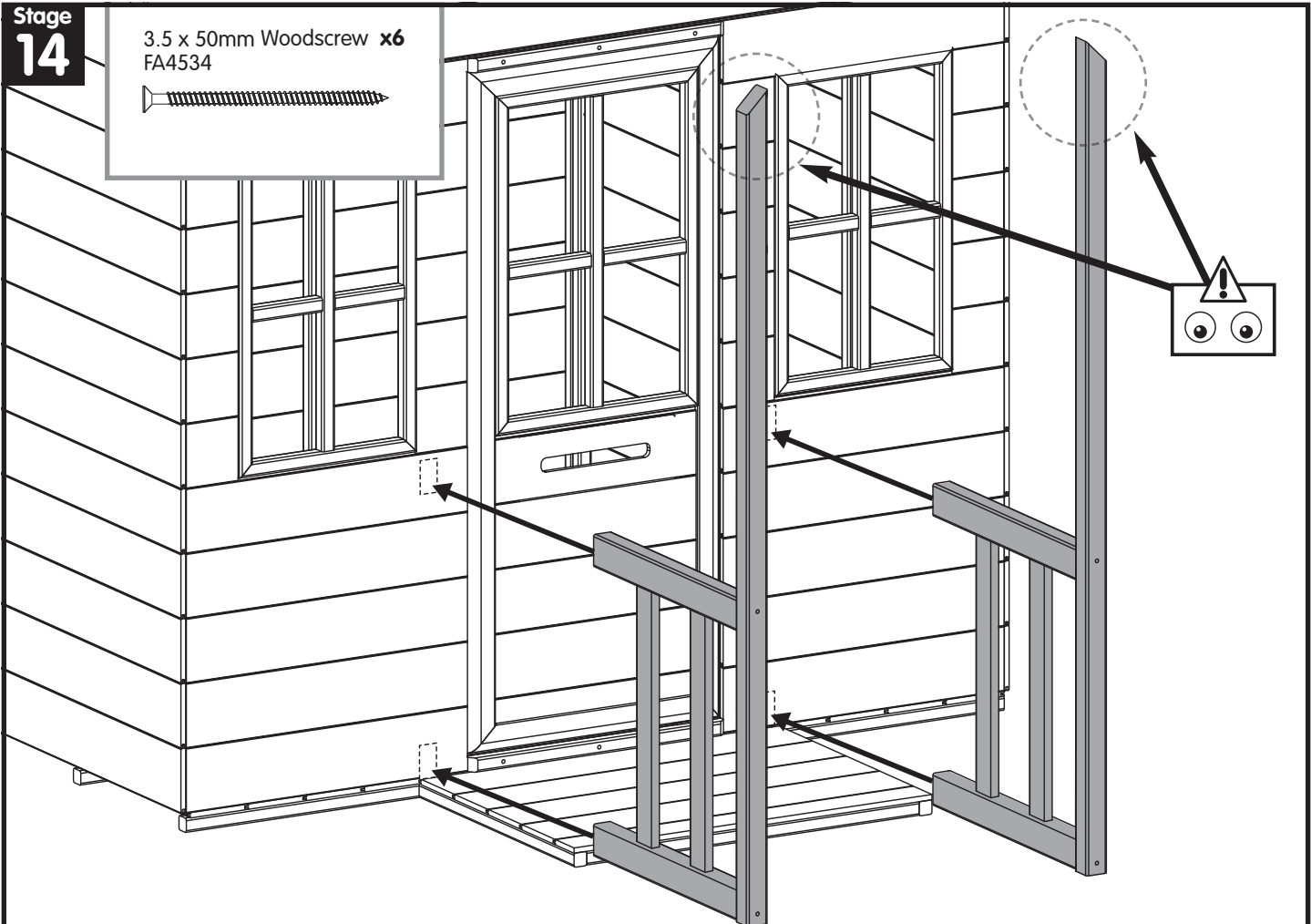
ASSEMBLY TIP

Must have Porch
fixing holes on this
roof panel.



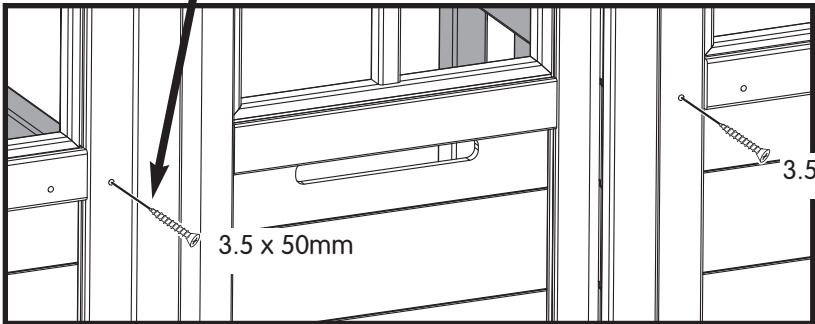
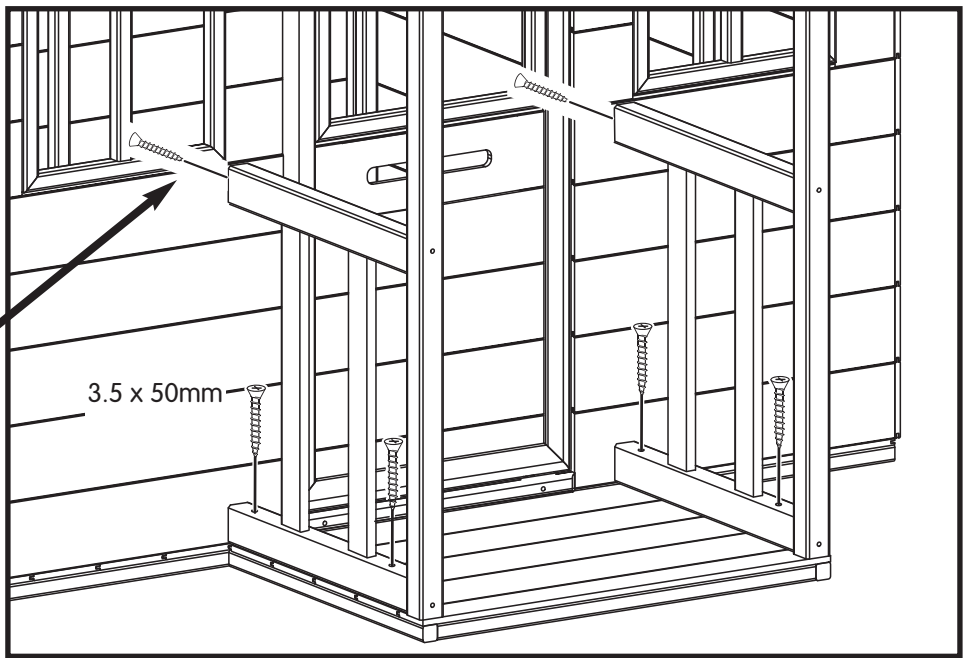
Stage
14

3.5 x 50mm Woodscrew x6
FA4534

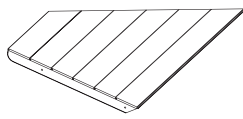


ASSEMBLY TIP

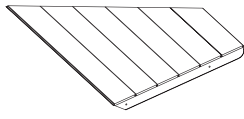
Screw from
inside house
into balcony



Stage
15

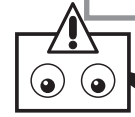


Roof Panel - Porch **x1**
WP1040P

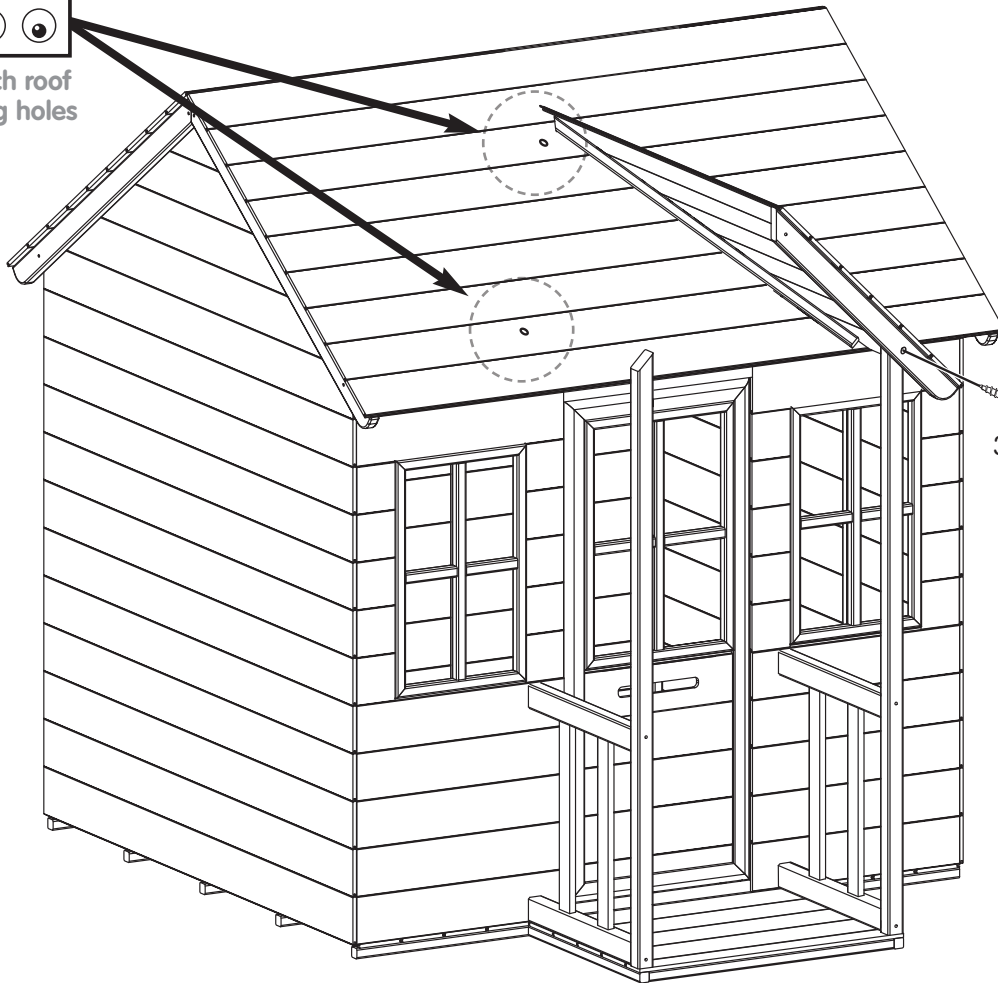


Roof Panel - Porch **x1**
WP1041P

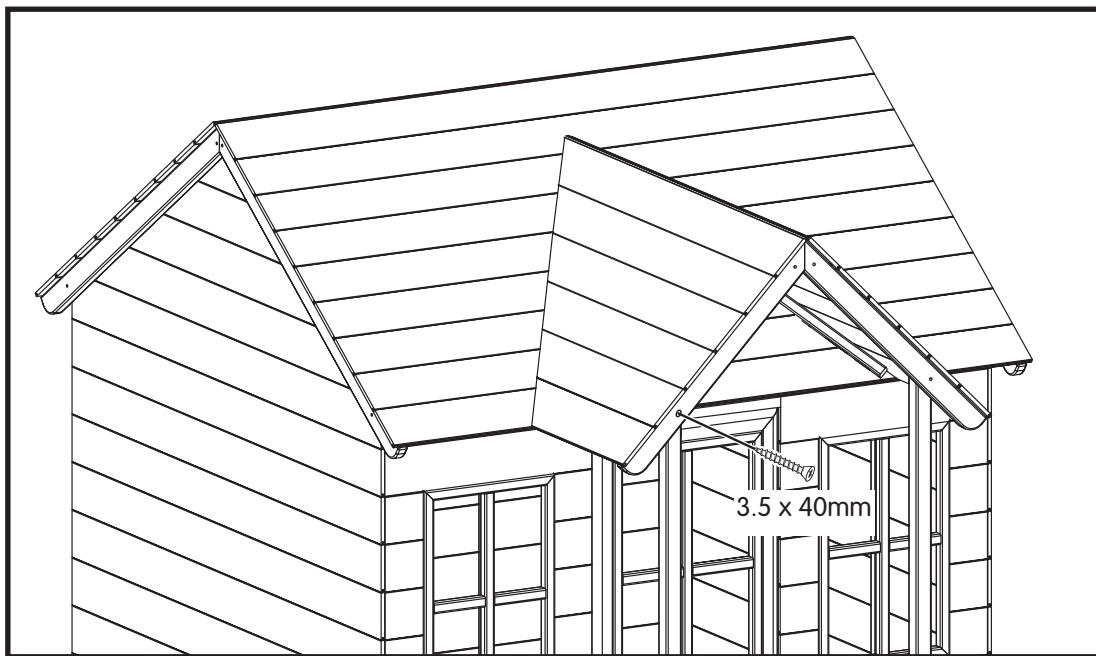
3.5 x 40mm Woodscrew **x2**
FA4522



Porch roof
fixing holes



3.5 x 40mm



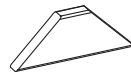
3.5 x 40mm

Stage
16

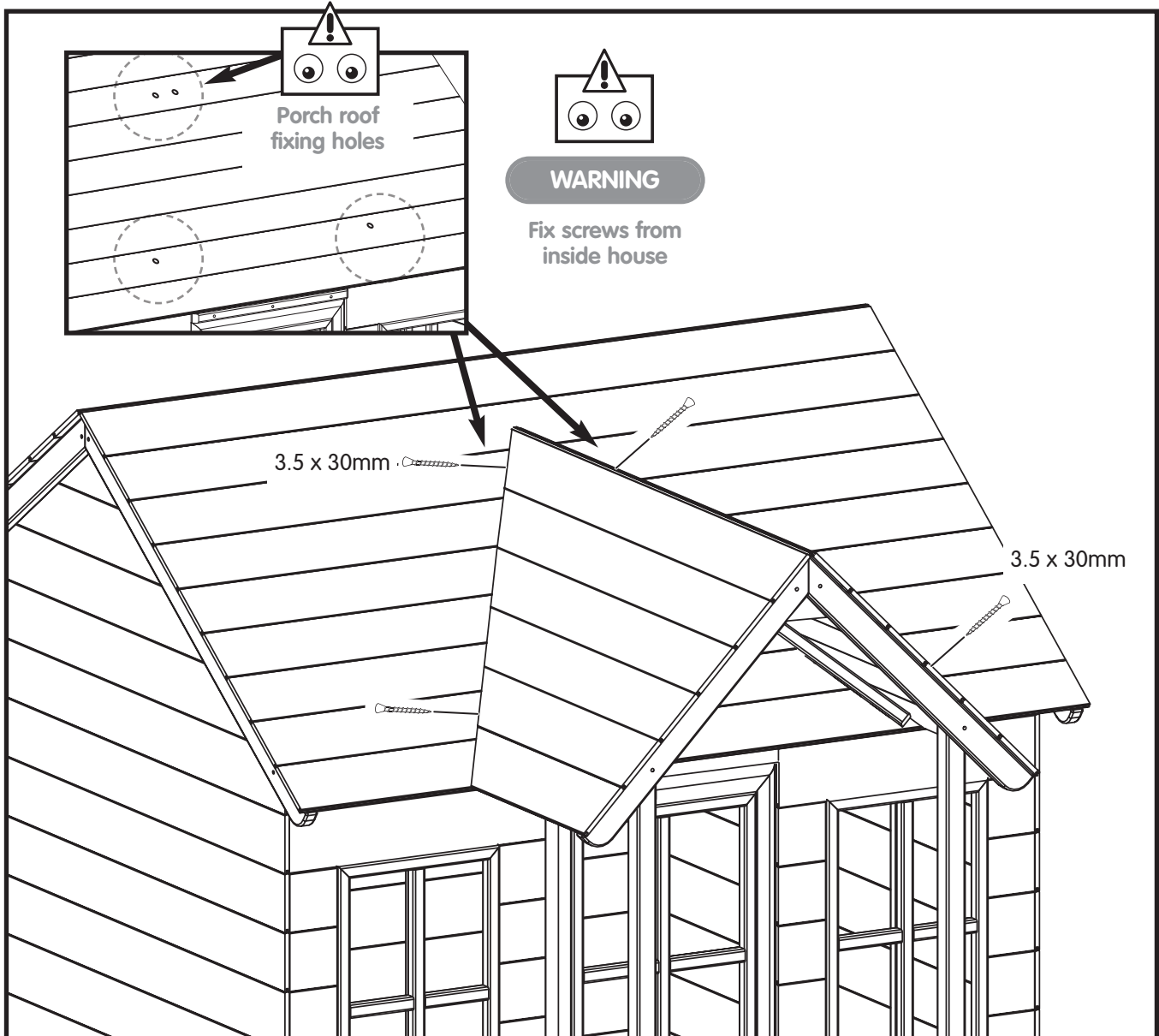
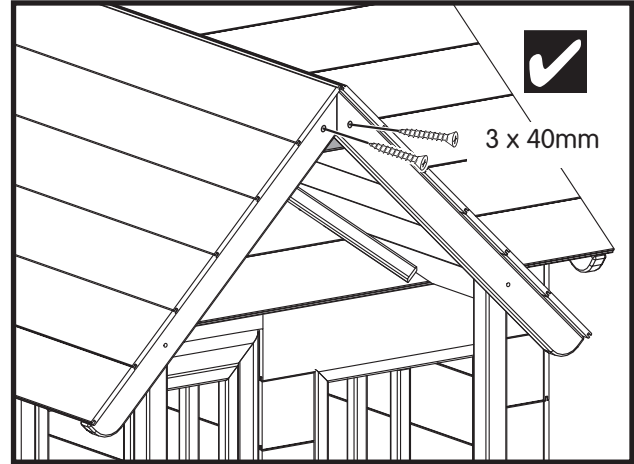
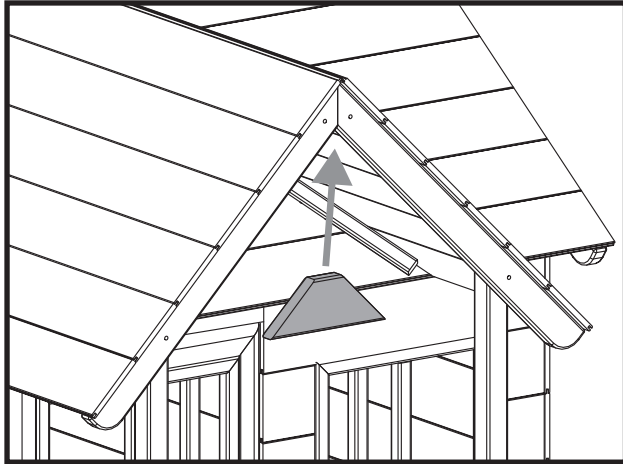
3.5 x 40mm Woodscrew **x2**
FA4522



3.5 x 30mm Woodscrew **x4**
FA4526



Ridge Support **x1**
MW1051P



Stage
17

Ridge Strip RH **x1**
MW1048P



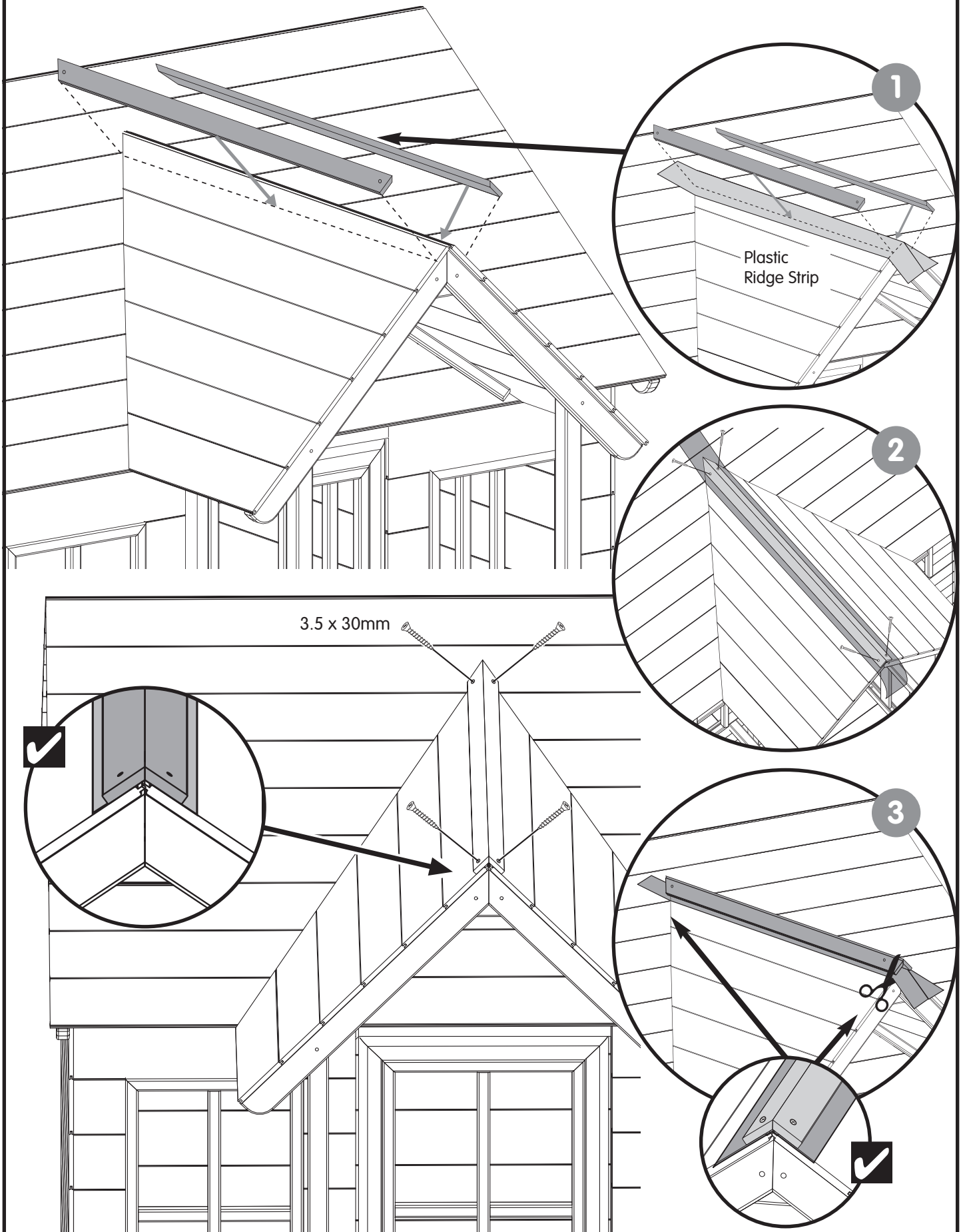
3.5 x 30mm Woodscrew **x4**
FA4526



Plastic Ridge Strip
x1

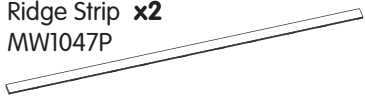


Ridge Strip LH **x1**
MW1049P



Stage
18

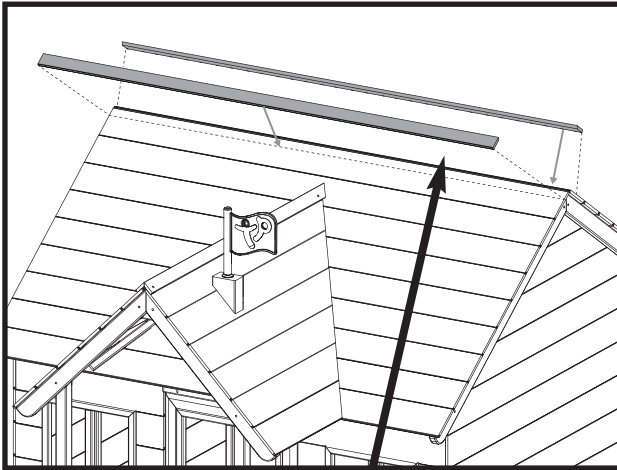
Ridge Strip **x2**
MW1047P



3.5 x 30mm Woodscrew **x8**
FA4526



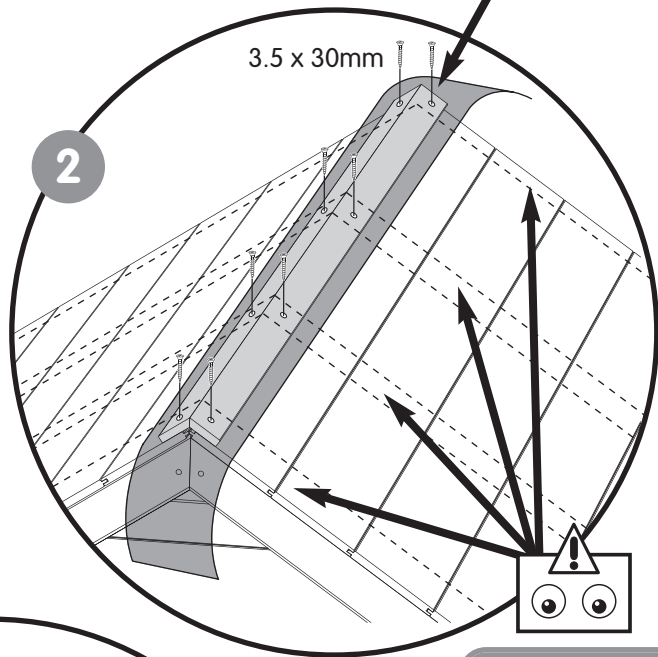
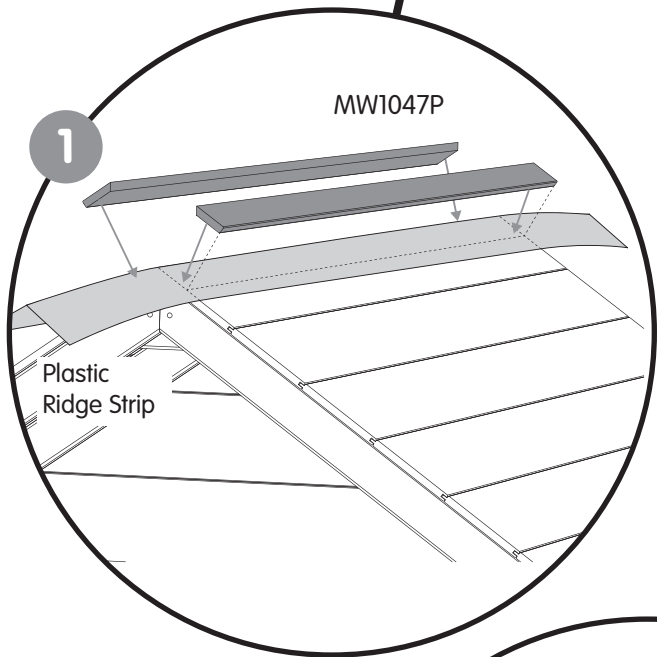
Plastic Ridge Strip
x1



ASSEMBLY TIP

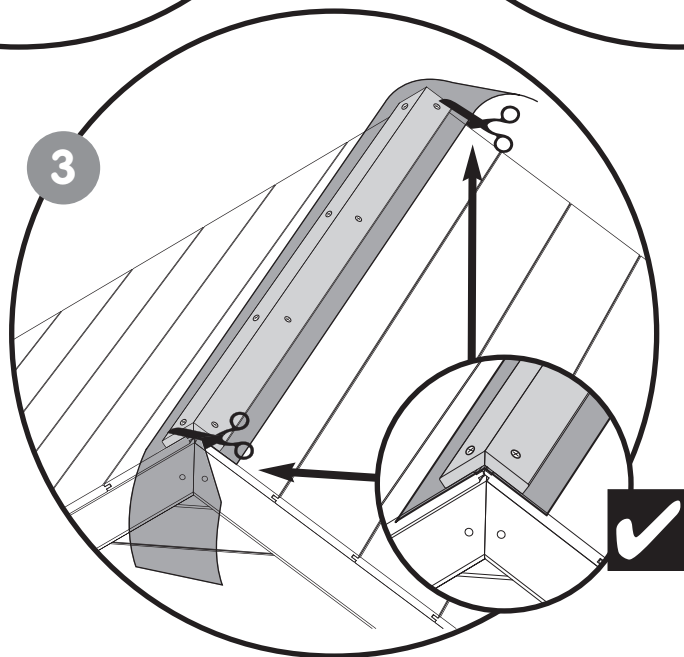


Drill 2mm
Pilot hole



ASSEMBLY TIP

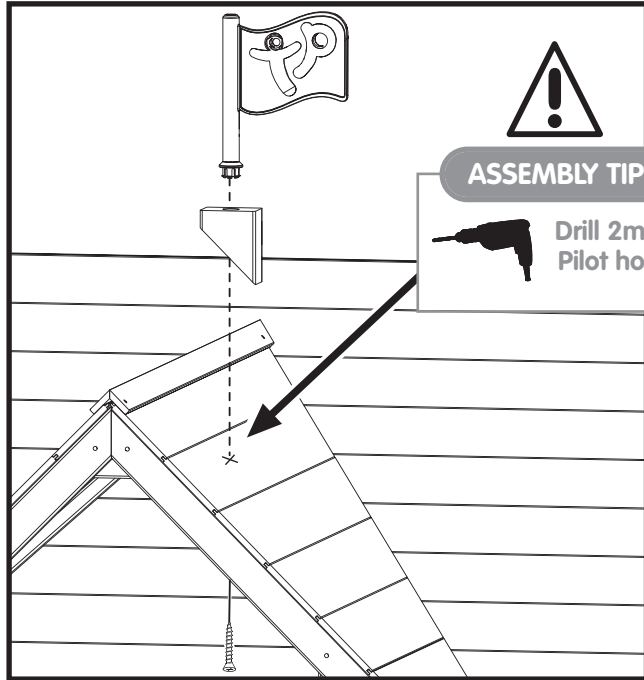
Middle screws
must screw into
roof battens



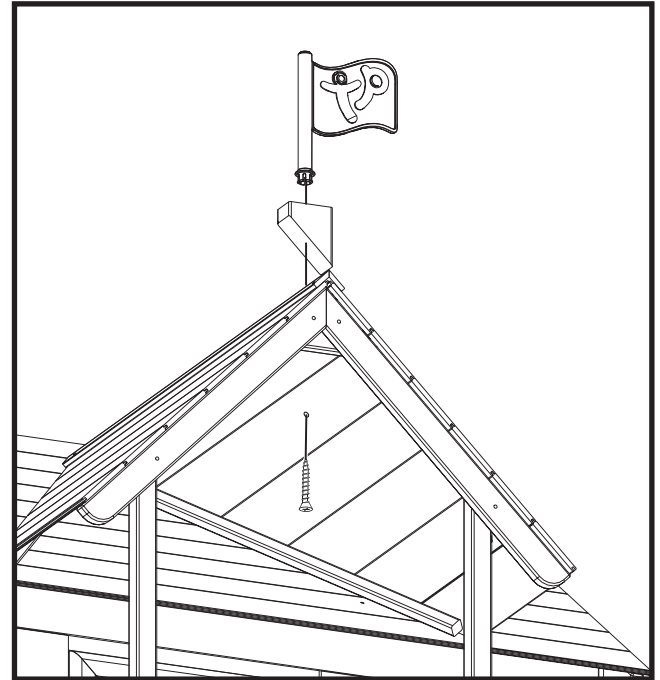
Stage
19



3.5 x 40mm Woodscrew **x1**
FA4522



ASSEMBLY TIP

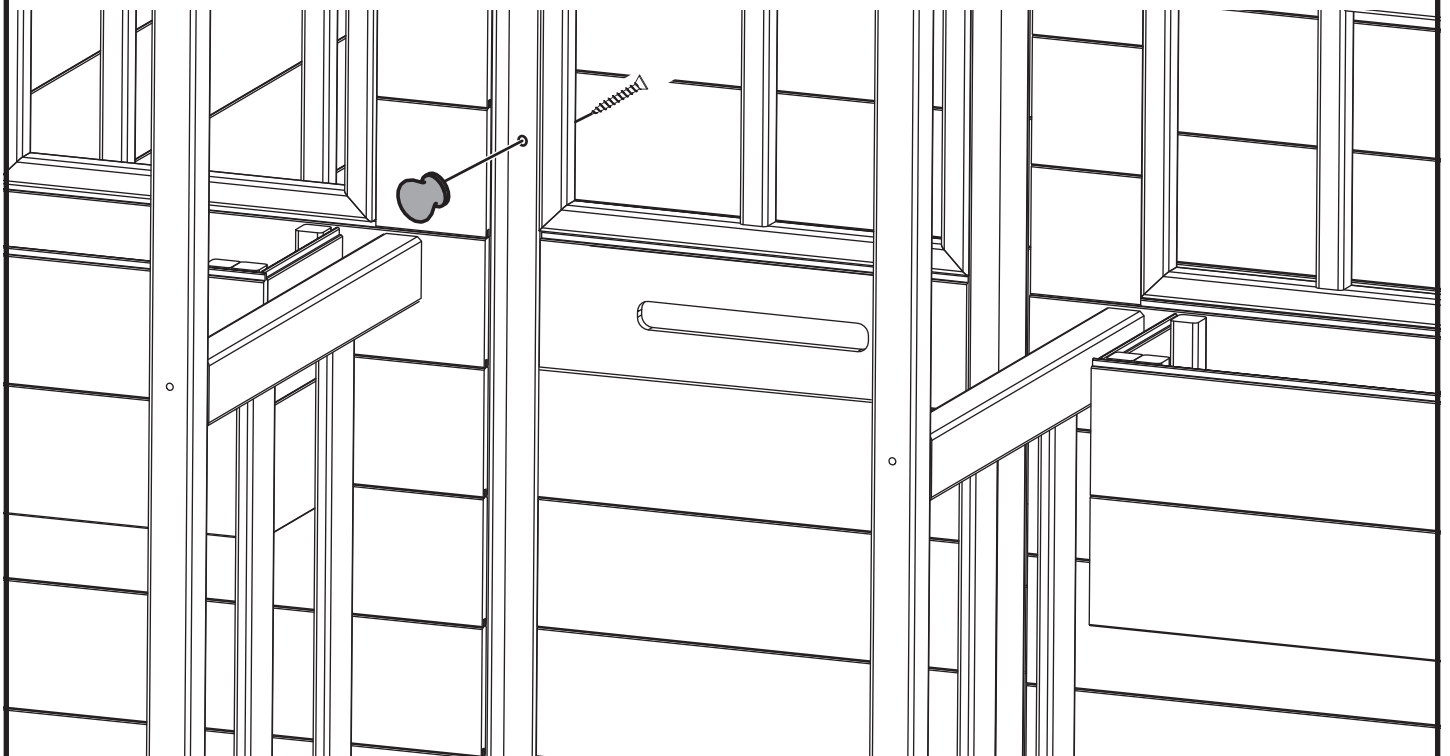


Stage
20



Door Knob **x1**
DK2117P

3.5 x 50mm Woodscrew **x1**
FA4534

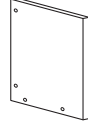


**Stage
21**



Planter Front **x2**
WP1043P

Planter Side **x4**
MW1044P

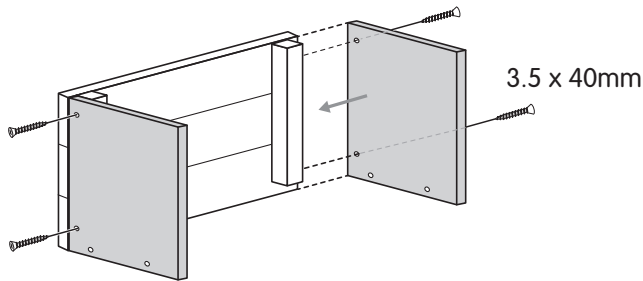


Planter Floor **x2**
MW1045P

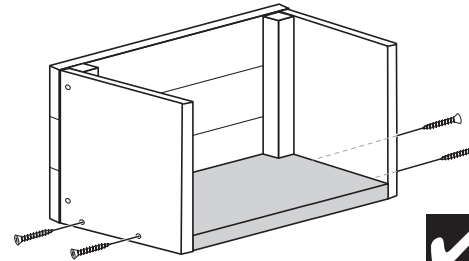
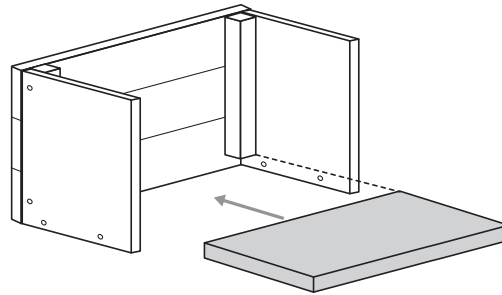
3.5 x 50mm Woodscrew **x4**
FA4534



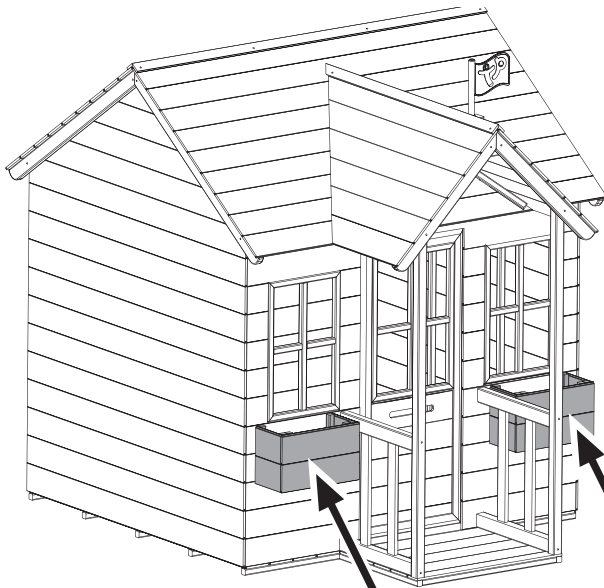
3.5 x 40mm Woodscrew **x16**
FA4522



3.5 x 40mm



X2



3.5 x 50mm



YOUR GUARANTEE

- This product is guaranteed for 1 year provided it has been assembled and maintained in accordance with these instructions, has been used by children of the appropriate age and weight guidelines have been strictly adhered to. If their requirements have not been adhered to, the guarantee will be invalidated. Please refer to page 2 of this instruction for full information in relation to this requirement.
- All guarantees are conditional upon family domestic use of the product.
- All guarantees apply to the original purchaser only; they are strictly not transferable.
- All guarantees commence on the date of purchase.
- All guarantees require the purchaser not to have modified the product.
- Only fittings and accessories supplied by TP should be used with TP products or your guarantee may be invalidated.
- Liability is limited to the replacement of the affected part only which we will repair or replace at our discretion. TP is not liable for any cost incurred by the customer to apply treatment to the product.
- Guarantees require the production of the original purchase receipt and of the batch number which appears on the instruction provided with the product. This instruction sheet should be retained by the purchaser for this reason and to provide important maintenance information (see above).
- If a guarantee claim is valid and a replacement part is supplied, the replacement part assumes the warranty period of the original purchase. For example if a product is purchased on 4 January 2012 and has a 1 year guarantee, but a replacement part is supplied under warranty 9 months later in September 2012, the warranty of the product including the replacement part supplied in September 2012 will expire 1 year from the original purchase, ie 3 January 2013.
- Vandalism, abuse, incorrect installation, inappropriate usage, minor settlement, weather related damage and acts of God are excluded from the guarantee.
- Guarantees apply to purchases made in the British Isles.
- Purchases of TP products outside the British Isles must be made from an approved TP retailer who will provide local resolution of any qualifying warranty claims. All claims will require the production of a valid purchase receipt.
- To enable us to manage your warranty claim as efficiently as possible, please register your purchase at www.tptoys.com/productregistration.

Your TP Guarantee Number/Product Batch No is

Designed in the UK by **Robovision Ltd t/as TP Toys**
Unit 11, Enterprise Way, Flitwick, Bedfordshire, MK45 5BX.

www.tptoys.com